

Application Note

CS5531/32/33/34 FREQUENTLY ASKED QUESTIONS

INTRODUCTION

The CS5531/32/33/34 are 16 and 24-bit ADCs that include an ultra low-noise amplifier, a 2 or 4-channel multiplexer, and various conversion and calibration options. This application note is intended to provide a resource to help users understand how to best use the features of these ADCs. The “Getting Started” section outlines the order in which certain things should be done in software to ensure that the converter functions correctly. The “Questions and Answers” section discusses many of the common questions that arise when using these ADCs for the first time.

GETTING STARTED

Initialize the ADCs Serial Port

The CS5531/32/33/34 do not have a reset pin. A reset is performed in software by re-synchronizing the serial port and doing a software reset. Re-synchronizing the serial port ensures that the device is expecting a valid command. It does not initiate a reset of the ADC, and all of the register settings of the device are retained.

A serial port re-synchronization is performed by sending 15 (or more) bytes of 0xFF (hexadecimal) to the converter, followed by a single byte of 0xFE. Note that anytime a command or any other information is to be sent to or read from the ADC’s serial port, the \overline{CS} pin must be low.

Perform a Software Reset

After re-synchronizing the ADCs serial port, a software reset should be performed on the device. A reset will set all of the internal registers to their default values, as detailed in the datasheet.

A software reset is performed by writing a “1” to the RS bit (Bit 29) in the Configuration Register. When a reset is complete, the RV bit (Bit 28) in the Configuration Register will be set to a “1” by the ADC. Any other bits in the Configuration Register that need to be changed must be done with a separate write to the register after the software reset is performed.

Set Up the Configuration Register

After a software reset has been performed, the Configuration Register can be written to configure the general operation parameters of the device. This step can be omitted if the system is using the default register value. Particular attention must be paid to the setting of the VRS bit (Bit 25). The VRS bit should be set to “1” if the voltage on the VREF+ and VREF- pins is 2.5 V or less. If the voltage on the VREF+ and VREF- pins is greater than 2.5V, the VRS bit should be set to “0”.

Set up the Channel Setup Registers

The Channel Setup Registers determine how the part should operate when given a conversion or calibration command. If the system is using the device with its default settings, the Channel Setup Registers need not be written. Whether the Channel Setup Registers are written or not, they should be configured for the desired operation of the device before performing any calibrations or conversions.

Calibrate the ADC

The CS5531/32/33/34 can be calibrated using the on-chip calibration features for more accuracy. The parts do not need to be calibrated to function, and in some systems a calibration step may not be nec-

essary. Any offset or gain errors in the ADC itself and the front-end analog circuitry will remain if the device is left uncalibrated.

If the built-in calibration functions of the device are to be used, the calibrations should be performed before any conversions take place. Calibrations are performed by sending the appropriate calibration command to the converter's serial port, and waiting until the SDO line falls low, which indicates that the calibration has completed. New commands should not be sent to the converter until the calibration cycle is complete. More detail about performing calibrations can be found later in this document and in the datasheet.

Perform Conversions

Conversions can be performed by sending the appropriate command to the converter, waiting for SDO to fall, and then clocking the data from the serial port. New commands should not be sent to the converter during a conversion cycle. The various conversion modes and options are discussed in more detail later in this document and in the datasheet.

QUESTIONS AND ANSWERS

How is the input voltage span of the converter calculated?

The positive full-scale input voltage (V_{FS}) is determined by Equation 1.

$$V_{FS} = \frac{((V_{REF+}) - (V_{REF-}))}{(G \times A)} \times \frac{1}{R_G}$$

Equation 1. Full-Scale Input Voltage

In Equation 1, $(V_{REF+}) - (V_{REF-})$ is the difference between the voltage levels on the V_{REF+} and V_{REF-} pins of the converter. The variable G in the equation represents the setting of the programmable-gain instrumentation amplifier (PGIA) inside the part. The variable A in the equation is dependent on the setting of the VRS bit in the Configuration register (bit 25). When this bit is set to '0', $A =$

2, and when the bit is set to '1', $A = 1$. R_G is the decimal value of the digital gain register, which is discussed in a later section. For the purposes of this section, the value of R_G is 1.0.

The input voltage span in unipolar mode will be from 0 V to the positive full-scale input voltage computed using Equation 1. In bipolar mode, the input voltage span is twice as large, since the input range goes from negative full-scale ($-V_{FS}$) to positive full-scale (V_{FS}). So for unipolar mode, the input voltage span is V_{FS} , and in bipolar mode, it is $2 * V_{FS}$.

Example: Using a 5V voltage reference, with the VRS bit set to 0 in the 32X bipolar gain range, we see that $(V_{REF+}) - (V_{REF-}) = 5$ V, $G = 32$, and $A = 2$. Using Equation 1, $V_{FS} = (5 \text{ V}) / (32 * 2) = 78.125$ mV. Since we are using bipolar mode, the input voltage span becomes $2 * V_{FS} = 156.25$ mV, or ± 78.125 mV.

How are the digital output codes mapped to the analog input voltage of the converters?

The output codes from the converter are mapped as either straight binary or two's complement binary values, depending on whether the part is in unipolar or bipolar mode. The part measures voltage on the analog inputs as the differential between the A_{IN+} and A_{IN-} pins ($A_{IN+} - A_{IN-}$). The smallest amount of voltage change on the analog inputs which will cause a change in the output code from the converter is known as an "LSB" (Least Significant Bit), because it is the LSB of the converter's output word that is affected by this voltage change. The size of one LSB can be calculated with Equation 2.

$$LSB = \frac{(V_{SPAN})}{(2^N)}$$

Equation 2. LSB Size

In Equation 2, " V_{SPAN} " is the full input voltage range as determined by the voltage reference, PGIA setting, and gain register value. "N" is the

CS5531/33 16-Bit Output Coding

Unipolar Input Voltage	Offset Binary	Bipolar Input Voltage	Two's Complement
>(VFS-1.5 LSB)	FFFF	>(VFS-1.5 LSB)	7FFF
VFS-1.5 LSB	FFFF ----- FFFE	VFS-1.5 LSB	7FFF ----- 7FFE
VFS/2-0.5 LSB	8000 ----- 7FFF	-0.5 LSB	0000 ----- FFFF
+0.5 LSB	0001 ----- 0000	-VFS+0.5 LSB	8001 ----- 8000
<(+0.5 LSB)	0000	<(-VFS+0.5 LSB)	8000

CS5532/34 24-Bit Output Coding

Unipolar Input Voltage	Offset Binary	Bipolar Input Voltage	Two's Complement
>(VFS-1.5 LSB)	FFFFFF	>(VFS-1.5 LSB)	7FFFFFFF
VFS-1.5 LSB	FFFFFF ----- FFFFFFE	VFS-1.5 LSB	7FFFFFFF ----- 7FFFFFFE
VFS/2-0.5 LSB	800000 ----- 7FFFFFFF	-0.5 LSB	000000 ----- FFFFFFF
+0.5 LSB	000001 ----- 000000	-VFS+0.5 LSB	800001 ----- 800000
<(+0.5 LSB)	000000	<(-VFS+0.5 LSB)	800000

Table 1: Output Coding for 16-bit CS5531/33 and 24-bit CS5532/34.

number of bits in the output word (16 for the CS5531/33 and 24 for CS5532/34).

Example: Using the CS5532 in the 64X unipolar range with a 2.5V reference and the gain register set to 1.0, V_{SPAN} is nominally 39.0625 mV, and N is 24. The size of one LSB is then equal to $39.0625 \text{ mV} / 2^{24}$, or approximately 2.328 nV.

The output coding for both the 16-bit and 24-bit parts depends on whether the device is used in unipolar or bipolar mode, as shown in Table 1. In unipolar mode, when the differential input voltage is zero Volts $\pm 1/2$ LSB, the output code from the converter will be zero. When the differential input voltage exceeds $+1/2$ LSB, the converter will output binary code values related to the magnitude of the input voltage (if the differential input voltage is equal to 434 LSBs, then the output of the converter will be 434 decimal). When the input voltage is within $1/2$ LSB of the maximum input level, the codes from the converter will max out at all 1's (hexadecimal FFFF for the CS5531/33 and hexadecimal FFFFFFFF for the CS5532/34). If the differential input voltage is negative (A_{IN+} is less than A_{IN-}), then the output code from the converter will be equal to zero, and the overflow flag will be set. If the differential input voltage exceeds the maximum input level, then the code from the converter will be equal to all 1's, and the overflow flag will be set.

In bipolar mode, half of the available codes are used for positive inputs, and the other half are used for negative inputs. The input voltage is represented by a two's complement number. When the differential input voltage is equal to $0 \text{ V} \pm 1/2$ LSB, the output code from the converter will equal zero. As in unipolar mode, when the differential voltage exceeds $+1/2$ LSB, the converter will output binary values related to the magnitude of the voltage input. When the input voltage is within $1/2$ LSB of the maximum input level however, the code from the converter will be a single 0 followed by all 1's (hexadecimal 7FFF for the CS5531/33 and hexadecimal 7FFFFFFF for the CS5532/34). For negative differential inputs, the MSB of the output word will be set to 1. When the differential input voltage is within $1/2$ LSB of the full-scale negative input voltage, the code from the converter will be a single 1 followed by all 0's (hexadecimal 8000 for the CS5531/33 and hexadecimal 800000 for the CS5532/34). As the negative differential voltage gets closer to zero, the output codes will count upwards until the input voltage is between $-1 1/2$ and $-1/2$ LSB, when the output code will be all 1's (hexadecimal FFFF for the CS5531/33 and hexadecimal FFFFFFFF for the CS5532/34).

To calculate the expected decimal output code that you would receive from the ADC for a given input voltage, divide the given input voltage by the size

of one LSB. For a 5 mV input signal when the LSB size is 4 nV, the expected output code (decimal) from the converter would be 1,250,000.

What is the relationship of the VREF input voltage and the VRS bit to the analog inputs of the converter?

The voltage present on the VREF+ and VREF- inputs have a direct relationship to the input voltage span of the converter. The differential voltage between the VREF inputs ((VREF+) - (VREF-)) scales the span of the analog input proportionally. If the VREF voltage changes by 5%, the analog input span will also change by 5%. The VREF input voltage does not limit the absolute magnitude of the voltages on the analog inputs, but only sets the slope of the transfer function (codes output vs. voltage input) of the converter. The analog input voltages are only limited with respect to the supply voltages (VA+ and VA-) on the part. See the “Common-mode + signal on AIN+ or AIN-” discussion in this document for more details on these limitations.

The VRS bit in the configuration register also has a direct effect on the analog input span of the converter. When the differential voltage on the VREF pins is between 1 V and 2.5 V, the VRS bit should be set to ‘1’. When this voltage is greater than 2.5 V, the VRS bit should be set to ‘0’. When set to ‘0’, a different capacitor is used to sample the VREF voltage, and the input span of the converter is halved. The proper setting of this bit is crucial to the optimal operation of the converter. If this bit is set incorrectly, the converter will not meet the data sheet noise specifications.

The purpose of the VRS bit is to optimize the performance for two different types of systems. In some systems, a precision 2.5 V reference is used to get absolute accuracy of voltage measurement. Other systems use a 5 V source to provide both the reference voltage and an excitation voltage for a ratiometric bridge sensor. The performance of the

system can be enhanced by selecting the appropriate reference range.

In a system that is performing ratiometric measurements, using a 5 V reference is usually the best option. Ratiometric bridge sensors typically have a very low output voltage range that scales directly with the excitation voltage to the sensor. Because the converter’s input span can be the same with either a 2.5 V reference or a 5 V reference, and the voltage output from the ratiometric sensor will be twice as large with a 5 V excitation, the system can achieve higher signal to noise performance when the sensor excitation and the voltage reference are at 5 V.

For systems in which absolute voltage accuracy is a concern, using a 2.5 V reference has some advantages. There are a wide variety of precision 2.5 V reference sources available which can be powered from the same 5 V source as the ADC. However, most precision 5 V references require more than 5 V on their power supplies, and a second supply would be needed to provide the operating voltage to a voltage reference. Since the same input ranges are available with either reference voltage, a 2.5 V reference provides a more cost and space-effective solution. Additionally, for systems where the 1X gain range is used, a 2.5 V reference voltage gives the user the option of using the self gain calibration function of the ADC, where a 5 V reference does not.

What are the noise contributions from the amplifier and the modulator?

The amplifier used in the 2X-64X gain ranges of the part has typical input-referred noise of 6 nV/ $\sqrt{\text{Hz}}$ for the -BS versions, and 12 nV/ $\sqrt{\text{Hz}}$ for the -AS versions. The modulator has typical noise of 70 nV/ $\sqrt{\text{Hz}}$ for the -BS versions, and 110 nV/ $\sqrt{\text{Hz}}$ for the -AS versions at word rates of 120 samples/s and less. At word rates higher than 120 samples/s, the modulator noise begins to rise, and is difficult to model with an equation. The

CS5531/32/33/34 datasheet lists the typical RMS noise values for all combinations of gain range and word rate.

In the 32X and 64X gain ranges, the amplifier noise dominates, and the modulator noise is not very significant. As the gain setting decreases, the amplifier noise becomes less significant, and the modulator becomes the dominant noise source in the 1X and 2X gain ranges. The noise density from the amplifier and the modulator for word rates of 120 samples/s and lower can be calculated using Equation 3.

$$\text{Noise Density} = \frac{\sqrt{(N_A \times G)^2 + (N_M)^2}}{G}$$

Equation 3. Noise Density

In Equation 3, G refers to the gain setting of the PGIA. N_A refers to the amplifier noise, and N_M refers to the modulator noise. By using the noise numbers at the beginning of this section, a noise density number can be found for any gain range setting. The typical RMS noise for a given word rate can be estimated by multiplying the noise density at the desired gain range by the square root of the filter's corner frequency for that word rate. This estimate does not include the noise that is outside the filter bandwidth, but it can give a rough idea of what the typical noise would be for those settings. The true RMS noise number will be slightly higher, as indicated by the RMS noise tables in the datasheet.

The apparent noise numbers seen at the output of the converter will be affected by the setting of the internal gain register of the part. The typical RMS noise numbers calculated in this section and shown in the datasheet's RMS noise tables correspond to the noise seen at the converter's output using a gain register setting of approximately 1.0.

What factors affect the input current on the

analog inputs?

In the 1X gain range, the inputs are buffered with a rough-fine charge scheme. With this input structure, the modulator sampling capacitor is charged in two phases. During the first (rough) phase, the capacitor is charged to approximately the correct value using the 1X buffer amplifier, and the necessary current is provided by the buffer output to the sampling capacitor. During the second (fine) phase, the capacitor is connected directly to the input, and the necessary current to charge the capacitor to the final value comes from the AIN+ and AIN- lines. The size of the sampling capacitor, the offset voltage of the buffer amplifier, and the frequency at which the front-end switches are operating can be multiplied together ($C \times V \times F$) to calculate the input current. The buffer amplifier's offset voltage and the modulator sampling capacitor size are a function of the silicon manufacturing process, and cannot be changed. The frequency at which the switches are operating is determined directly by the master clock for the part, and is the only variable that users can modify which will have an effect on the input current in this mode. The input current specified in the datasheet assumes a 4.9152 MHz master clock.

In the 2X-64X gain ranges, the input current is due to small differences in the silicon that makes up the chopping switches on the front end of the amplifier. The difference between these switches produces a small charge injection current on the analog inputs. The frequency at which the switches are operating is derived directly from the master clock of the part, and the input current will change as the master clock frequency changes. Higher master clock frequencies will produce higher input currents. Likewise, changes in the VA+ and VA- supply voltages will change the amount of charge injection that is produced by the switches, and higher supply voltages will produce more current on the inputs. The input current specified in the datasheet assumes a 4.9152 MHz master clock and 5 V between the

VA+ and VA- supply pins.

What factors affect the input current on the voltage reference inputs?

The input structure on the VREF pins is similar to the input structure for the 1X gain range. The inputs are buffered with a rough-fine charge scheme. However, the size of the capacitor (C) in the equation $CxVxF$ changes with the setting of the VRS bit in the configuration register. With the VRS bit set to '1', the capacitor size is cut in half, which also reduces the VREF input current by 1/2. Like the analog input current, the VREF input current will change with clock frequency, and is specified with a 4.9152 MHz clock.

How do the offset and gain register settings affect the input range of the converter?

The offset and gain registers have a direct effect on the output codes of the converter. Because of their effects on the output codes from the converter, they also have an apparent effect on the input voltage span of the converter.

The contents of the offset registers are 24-bit 2's complement numbers (with a trailing byte of 0's to extend the register length to 32 bits) that shift the output codes from the converter up or down by a certain amount. The value in the offset register for a given channel times a scaling value of 1.83007966 will be subtracted from every conversion on that channel before it is output from the converter. Because this shifts the output of the converter, it will also shift the input span up or down, depending on the contents of the offset register. The corresponding effect on the input voltage depends on both the input span of the converter, and the gain register setting. The multiplication factor of 1.83007966 is compensation for the effects of the digital filter on this register. The offset register may be used to remove a large bridge offset, or other offset errors in a system.

Example: With an offset register setting of

0x00000000, the measured output code from the converter with a given input voltage is 0x000100 (256 decimal). When the offset register is set to 0x00001E00 (30 decimal, after truncating the last byte), the expected shift in output code from the converter would be $1.83007966 * 0x00001E = 0x000036$ (54 decimal). Subtracting this from the original output code gives $0x000100 - 0x000036 = 0x0000CA$ (202 decimal).

The contents of the gain registers are 30-bit fixed-point numbers which can range from 0 to $64 - 2^{-24}$ when expressed as decimal numbers (with two leading 0's to extend the register length to 32 bits). Although the maximum gain register setting is nearly 64, gain register settings above 40 should not be used. The gain register has a scaling effect on the output codes of the converter. After subtracting the contents of the offset register, every conversion is multiplied by the gain register for that particular channel. This changes the slope of the converter, and has an inverse proportional relationship to the input span of the converter, as seen in Equation 1, where the decimal equivalent of the gain register is represented with the variable R_G .

Example: With a gain register setting of 0x01000000 (1.0 decimal) and a given input voltage, the output code from the converter is 0x009C40 (40,000 decimal). If the gain register is changed to 0x01C00000 (1.75 decimal), the output code from the converter becomes $0x009C40 * 1.75 = 0x011170$ (70,000 decimal). Thus, the effective input range has also been scaled by 1/1.75.

Because this multiplication is done after the subtraction of the offset register, the gain register setting has a direct effect on the offset introduced by the offset register as well. It is for this reason that any adjustments to the offset register should take into account the gain register value, as well as the 1.83007966X filter gain factor that will be applied afterwards.

What is the purpose of the Filter Rate Select

(FRS) bit in the configuration register?

The FRS bit (bit 19 in the Configuration Register) is used to select between two different sets of output word rates. When running the ADC from a 4.9152 MHz clock, the FRS bit can be toggled with a simple software switch to provide either 50 Hz or 60 Hz rejection in situations where this is applicable. The default state of the FRS bit is zero. In this mode, the word rates from the ADC are 7.5, 15, 30, 60, 120, 240, 480, 960, 1920, and 3840 samples/s (when running from a 4.9152 MHz clock). When the FRS bit is set to one, these word rates and their corresponding filter characteristics scale by a factor of 5/6, producing output word rates of 6.25, 12.5, 25, 50, 100, 200, 400, 800, 1600, and 3200 samples/s. All of the word rates and filter characteristics in the part will also scale with the master clock frequency. Setting the FRS bit in the configuration register has the same effect as changing the clock frequency by a factor of 5/6, without having to change the hardware on the board.

How are the channel setup registers in the converters used?

The channel setup registers each hold two 16-bit “Setups”, which can be thought of as pre-defined calibration and conversion instructions. These 16-bit register spaces contain all of the information needed by the converter to perform a conversion or calibration in the desired operating mode. The bit selections in the Setups allow the user to choose the physical channel, gain range, polarity, and word rate to convert with, as well as the desired state of the two output latch pins. They also define whether the current source used for detection of an open circuit should be turned on, and if a delay should be added between the switching of the latch outputs and the beginning of a conversion cycle. By default, all of these registers are initially set to convert on channel 1 in the 1X, bipolar input range at an output word rate of 120 samples/s with the latch pins both set to ‘0’, the current source off, and no

delay time. These registers must be modified when the part is to be operated in a mode other than the default settings. An entire channel setup register (two Setups) must be read or written all at once, even if one of the Setups in the register is not being modified. If a “write all” or “read all” command is issued on the channel setup registers, all four of the registers (eight Setups) must be written or read.

When issuing a conversion or calibration command to the converter, the channel setup register pointer (CSR_P) bits indicate which Setup to follow when performing the calibration or conversion. The converter will configure itself according to the information found in the indicated Setup, and perform the desired operation. The Setups allow the user to select from multiple converter settings without having to re-configure the converter each time the configuration (channel, gain setting, word rate, etc.) needs to change.

How is the delay time (DT) bit in each Setup used?

The delay time (DT) bit in each Setup register adds a fixed amount of delay between the new state of the output latch pins, and the start of a new conversion cycle. This allows the user to control circuitry on the front-end of the device with slower response times or power-on times with the output latch bits of the converter, and start the conversion after the front-end circuitry has settled. The delay time is fixed at 1280 master clock cycles (approximately 260 μ s when running from a 4.9152 MHz clock) when the FRS bit in the configuration register is set to ‘0’. When the FRS bit is set to ‘1’, the delay time is extended to 1536 clock cycles (approximately 312 μ s when running from a 4.9152 MHz clock). For circuitry that takes longer than this to power on or switch, a “dummy” conversion at a different word rate can be used to add some delay time, or the latch bits can be controlled from the Configuration Register.

What is the difference between a “self” calibration and a “system” calibration?

A self calibration uses voltages that are available to the converter to perform calibrations, and does not take into account any system-level effects. The converter performs a self offset calibration by disconnecting the AIN+ and AIN- inputs of the specified channel, and shorting them to the common-mode internal to the ADC. The converter then does a conversion and computes a value for the offset register. A self gain calibration is performed by disconnecting the AIN+ and AIN- inputs and connecting them to the VREF+ and VREF- inputs respectively. The converter then performs a conversion and calculates the gain register value from that conversion. Self calibrations are only valid in the 1X gain range with a voltage reference of 1 to 2.5 V. A self calibration of offset is possible in the other gain ranges by using the Input Short (IS) bit in the Configuration Register. This bit can be set to ‘1’, and a system offset calibration can be performed on the appropriate channel. The IS bit must be set back to ‘0’ for normal operation of the converter.

System calibrations rely on the correct voltage levels being applied to the voltage inputs during the calibration operation. For a system offset calibration, the desired “zero” point should be applied to the AIN+ and AIN- inputs before the calibration command is sent and throughout the calibration process. Typically, this point is zero volts, but the converters can calibrate out $\pm 100\%$ of the nominal input range in bipolar mode, and $\pm 90\%$ of the nominal input range in unipolar mode. During a system gain calibration, the desired full-scale signal should be applied to the voltage inputs of the converter. The CS5531/32/33/34 can calibrate the gain slope with input voltages that are anywhere between 3% and 110% of the nominal full-scale voltage.

How accurate is the converter without calibration?

The converter’s gain settings are not factory trimmed, so if the converter is not calibrated, the absolute gain accuracy is typically $\pm 1\%$. The tracking error between the different PGIA gain settings (2X - 64X) is typically about $\pm 0.3\%$. If absolute accuracy is required, the converter should be calibrated for both offset and gain in the specific ranges where it is needed.

What are the advantages of using the on-chip calibration registers?

The on-chip calibration registers allow the converter to be easily interfaced to a simple, low-cost, 8-bit microcontroller without a lot of software overhead. The subtraction operation used by the offset register and the multiplication operation used by the gain register can both be performed inside the converter for fast, precise results when using even a very simple microcontroller. The internal registers also provide the user an easy means to use a variety of different calibration techniques for more accuracy.

Why is there no offset DAC in these converters?

The high dynamic range of the CS553x family of ADCs eliminates the need for an offset DAC. The offset register can perform the same function that an offset DAC would normally do in other ADCs. For example, a typical 2 mV/V bridge has a maximum output of 10 mV with a 5 V excitation supply. Using the 64X gain range in unipolar mode, there is still approximately 29 mV of headroom that can accommodate sensor or system offsets. Performing a system-level calibration or employing gain scaling techniques allow the user to adjust the input range of the converter to a 0 to 10 mV range after removing any offset that is present. Using the 7.5 samples/s word rate, the dynamic range of these converters allows them to still achieve 17 bits of

noise-free resolution (for the -BS versions of the parts) over this input range, even in the presence of large offset voltages.

What is “digital gain scaling” and how is it useful?

The term “digital gain scaling” is used to describe the way that the gain register in these converters can be manipulated to digitally scale a smaller input voltage over the entire output code range of the ADC. Recall that the gain register can be varied from 0 to $64 - 2^{-24}$, but should not exceed 40 (decimal). Because the gain register can be manually written and read, this function may be done within the system software. In addition, the gain register provides a very accurate means of changing the input span of the ADC without having to perform a new calibration. For example, the gain register can be read from the part, shifted left by 1 bit and written back into the part. This will have the effect of doubling the converter’s gain without introducing any gain error, as changing the amplifier gain setting in the part would. Non-binary gain changes can also be implemented using this type of gain register manipulation. This allows for virtually any input voltage span between 5 mV and 2.5 V, using a combination of amplifier gain settings and gain register manipulation.

What are some different approaches to using calibration in my system?

Calibration can be done at the manufacturing and testing stage, or in the field. A calibration step done at the manufacturing or testing stage is generally referred to as a factory calibration, and is normally performed only once. A field calibration on the other hand, may be done at any time when the system is in operation, either automatically or initiated by the user. Some systems may only use one type of calibration, where other systems may use a combination of both field and factory calibration. The advantage of a factory calibration is that it can usually

be performed with more precise equipment, and user error is not a problem. Field calibration has advantages also, since it can take into account the actual environment where the system will be operating, and may be desirable or even necessary for some systems.

The easiest way to implement a factory calibration is to write the system software so that it has two operating modes: “calibration mode” and “user mode”. The normal operation mode when powering on the system should be the user mode. In this mode, the system should perform all the functions relative to the end user. The calibration mode can be entered with a hardware jumper setting, a software switch, or any number of other options, but it should not be a normal function for the user. In calibration mode, the system can perform any necessary calibration and configuration tasks, and store the results to some form of on-board, non-volatile memory. An example of this is to use the on-chip system calibration functions to perform offset and gain calibration, and then read the calibration results from the ADC and store them to EEPROM. In user mode, the system would then read the registers out of EEPROM and write the values into the ADC’s registers on power-up to be used for normal operation.

I need to be able to do a field calibration periodically on a weigh scale using calibration weights. Are the internal calibration registers useful for this type of calibration?

The internal calibration registers can be very useful in this type of calibration, though this may not be obvious at first. The usual method of calibrating a scale with calibration weights is to first zero-out the scale with nothing on the platform, and then adjust the output of the scale to the correct reading once a calibration weight has been placed on the platform.

If the on-chip gain register is going to be used to adjust the scale’s output, the zero-point of the scale should first be calibrated by setting the gain register

to 1.0 and performing a system offset calibration, or adjusting the offset register until the scale reads zero. Following this, the gain register can be adjusted to obtain the correct reading for the calibration weight. One way of doing this is to set the gain register to a value that will give approximately the correct reading from the scale, and perform a conversion (or multiple conversions) to get a display output from the scale. The gain register can then be read from the part, and a value can be added or subtracted based on user input to adjust the gain register up or down. Once the gain has been adjusted and written back into the ADC, another conversion (or multiple conversions) can be performed to get a new display output from the scale. This process can be repeated until the display output matches the desired value. In a more complex system, this process may even be automated such that the user enters the magnitude of the calibration weight, and the system adjusts the gain register and takes readings until the value from the scale reads the same as the desired calibration value.

How are the OG1-OG0 bits in the Channel Setup Registers used?

The OG1-OG0 bits in the Channel Setup Registers allow the system to select from any of the offset and gain registers available in the device when performing conversions on a specific channel. Normally, the offset and gain registers associated with the currently selected physical channel (as specified by CS1-CS0 in the Setup) are used when performing conversions. To tell the ADC that the OG1-OG0 bits are to be used instead, a '1' must be written to the Configuration Register's OGS bit (bit 20). Then, the offset and gain registers for the channel specified by the OG1-OG0 bits will be used, while the conversion is still performed on the channel specified by CS1-CS0. This allows a system to quickly access different gain and offset register settings for conversions on the same physical channel, without having to write those registers into the de-

vice every time. When the OGS bit in the Configuration Register is equal to '0', the CS1-CS0 bits in the Setup are used to select the offset and gain registers that will be accessed.

What is the difference between single and continuous conversion mode?

The most noticeable differences between these two modes are the speed at which conversions can be performed, and whether the converter will begin a new conversion when the current one is finished. In continuous conversion mode, every conversion is output from the ADC, and the converter will continue to perform conversions until it is halted by the system microcontroller. This includes any un-settled outputs from the sinc³ or sinc⁵ filter. Data is converted and output from the part at the output word rate specified by the selected Setup. Continuous conversion mode is most useful when performing conversions on a single channel for extended periods of time. The very first output word of a continuous conversion cycle takes longer than subsequent conversions, due to some internal synchronization of the converter.

The single conversion mode is different in that the digital filter processes the modulator bitstream until it can compute a fully-settled result to output a data word. A conversion in single conversion mode therefore lasts longer than one performed in continuous conversion mode. In addition, when a single conversion is finished, the part will not perform another conversion until a new conversion command is initiated. Single conversion mode is most useful when repeatedly performing conversions on more than one channel of the part, or when using an external multiplexer.

Note that the time to arrive at a fully-settled output from the part in continuous conversion mode is the same amount of time that a single conversion takes.

Why is the “Common mode + signal on AIN+ or AIN-” specification different for the 1X gain range?

This difference is due to the fact that there are actually two different amplifiers inside the converter. In the 1X gain range, a rail-to-rail, unity-gain amplifier is used. A rail-to-rail amplifier is necessary in the 1X gain range to permit the large input voltage swings that are expected with this gain range. To achieve the high level of performance typical of the CS553x family in the 2X-64X gain ranges, a chopper-stabilized, low-drift, multi-path amplifier is used. The architecture of this amplifier does not permit rail-to-rail input capability. In the 2X-64X gain ranges, input signals into the AIN+ and AIN- inputs must remain higher than (VA- + 0.7 V) and lower than (VA+ - 1.7 V) for accurate measurements to occur.

A further consideration is the output of the amplifier. Figure 1 shows a model of the PGIA. In addition to the common mode requirements on the analog inputs, the user must ensure that the output of the amplifier does not become saturated. Using the equations for V_{CM} and V_{IN} shown in Figure 1, the voltages on the output of the amplifier (OUT+ and OUT-) are equal to $V_{CM} \pm (G \times V_{IN})/2$. The ampli-

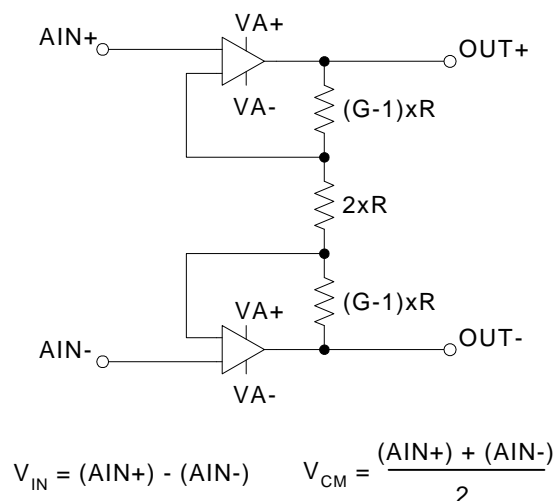


Figure 1. Amplifier Model (2X-64X Gain)

fier cannot drive the voltage on the OUT+ or OUT- pins below (VA- + 0.1 V) or above (VA+ - 0.1 V). When either OUT+ or OUT- reaches or goes beyond these limits, the gain will become $(2 \times G)/(G + 1)$. To prevent this from happening, the front-end circuitry on the ADC should be designed to ensure that both OUT+ and OUT- remain within these limits at all times.

How do I use the internal multiplexer in the part?

The different channels of the internal mux can be selected using the Setups in the Channel Setup Registers. The most effective way of using the internal mux is to initiate two or more Setups with different physical channel values, and then alternate between the Setups as needed while performing single conversions. Single conversion mode is recommended when using the internal mux if the user wants to switch between channels as quickly as possible. No advantage is gained by using the continuous conversion mode, since the settling time for this mode is the same as for the single conversion mode, and it takes more software overhead on the microcontroller’s part to start and stop the conversions. The single conversion mode will ensure that each new conversion from the different mux settings will produce a fully-settled result. Continuous conversion mode can be useful, however, if the user wants to convert a single channel for long periods of time, and only periodically get a sample from other channels. Data on a single channel can be collected much faster using this mode.

How is the guard drive output pin used?

The A0 pin on the CS5531/32/33/34 has a dual function as both a latch output and an output for the instrumentation amplifier’s common-mode voltage. The setting of the GB bit (bit 26) in the Configuration Register controls which mode this pin is in. When the GB bit is ‘0’, the A0 pin functions as

an output latch pin. When the GB bit is set to '1', the instrumentation amplifier's common-mode voltage is output on the A0 pin.

The amplifier's common-mode voltage is only output on the A0 pin when the 2X-64X instrumentation amplifier is on, and the device is in the normal operating mode. On power-up, the instrumentation amplifier is off by default. To engage the amplifier, a conversion or calibration must be started with the part set up to use a gain from 2X to 64X. The amplifier will remain on until a conversion or calibration is performed in the 1X gain range. When the

part is in standby or sleep mode, the instrumentation amplifier is powered down.

It is important to note that the guard drive output typically can only source about 10-20 uA of drive current. If the guard signal is used in an application which requires more drive current, an external buffer should be used to provide the necessary current. Also, the guard drive output should be protected against high voltage or current spikes, if they are likely to occur. Voltage or current spikes into the guard buffer can damage the ADC, and cause the ADC to malfunction.

• **Notes** •

SMART
Analog™