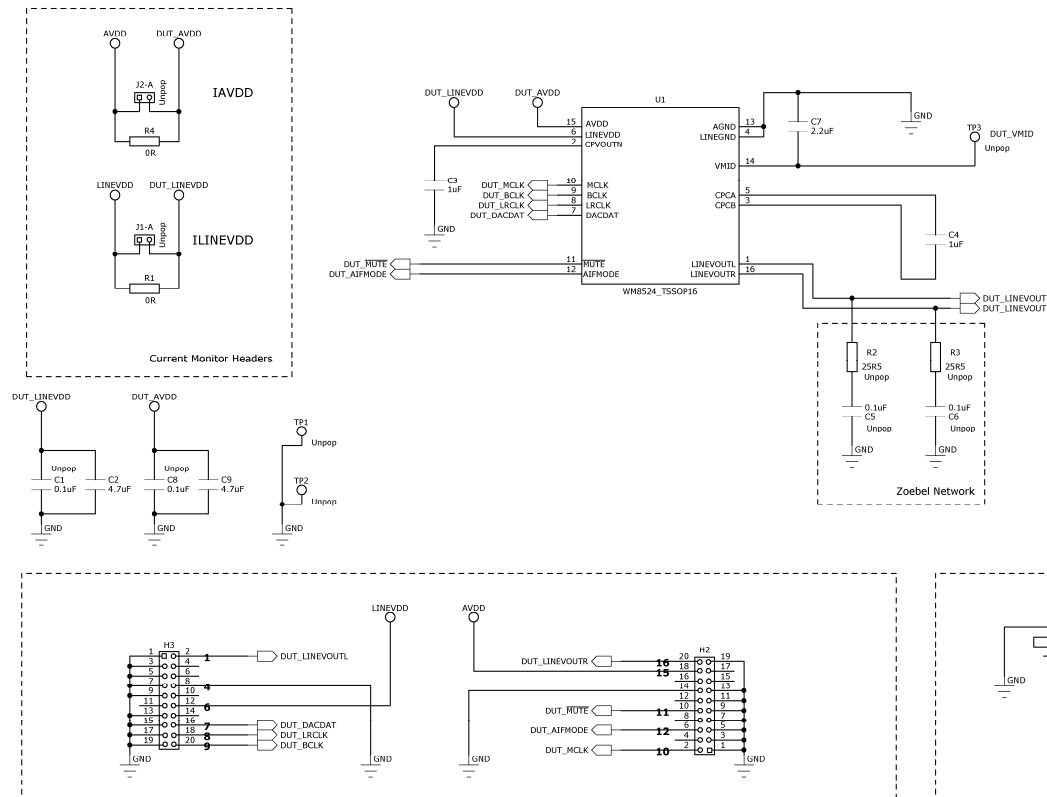


DOC TYPE:	SCHEMATIC AND LAYOUT
BOARD REFERENCE:	WM8524-6228-DT16-M
BOARD TYPE:	Customer Mini Board
WOLFSON DEVICE(S):	WM8524
DATE:	March 2009
DOC REVISION:	Rev 1.0

SCHEMATIC

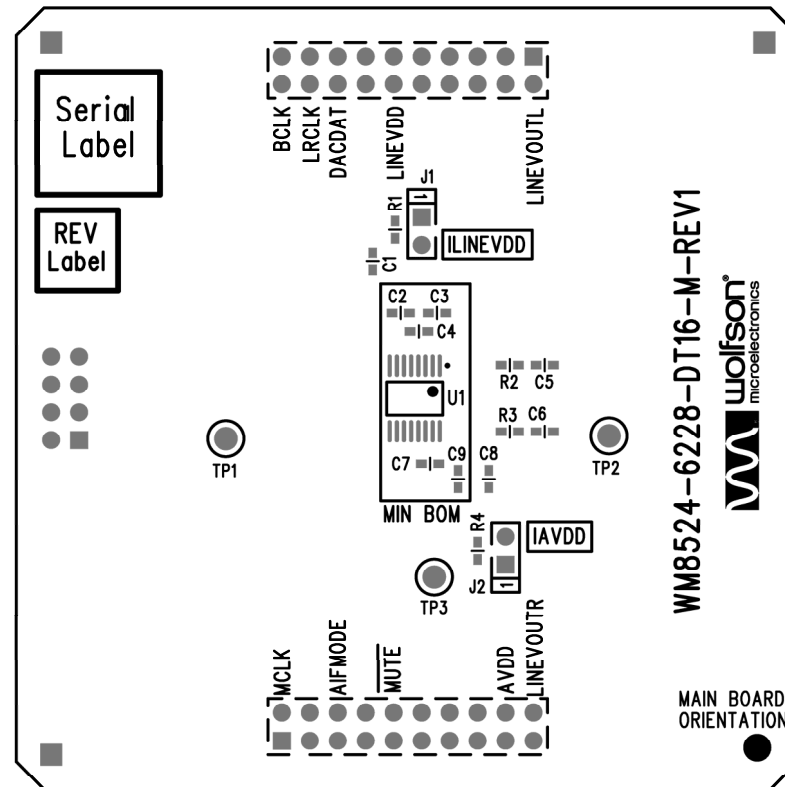
Sheet 1: WM8524



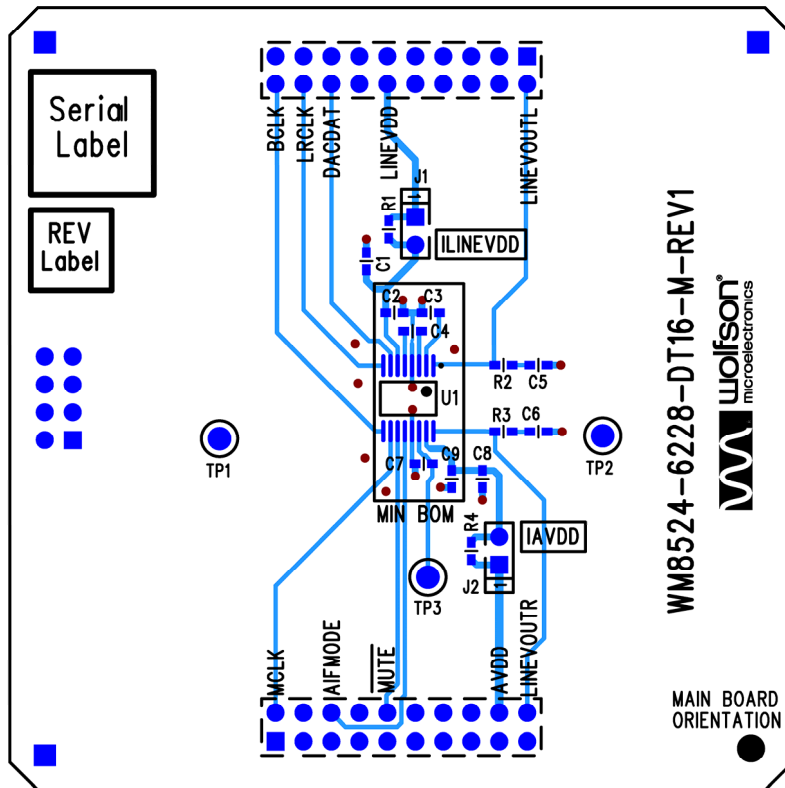
BILL OF MATERIALS (BOM)

<i>Item</i>	<i>RefDes</i>	<i>Description</i>	<i>Manufacturer</i>	<i>Manufacturer's Part Number</i>
1	C7	2.2uF 0603 SMD Ceramic Capacitor 10V X5R	MuRata	GRM188R61A225KE34D
2	C2 C9	4.7uF 0603 SMD Ceramic Capacitor 6.3V X5R	MuRata	GRM188R60J475KE19D
3	MISC2	Lead-free label, 15mm round	Brady	805794
4	C3 C4	1uF 0603 SMD Ceramic Capacitor 16V X7R	Phycomp	225524615663
5	R1 R4	0R 0603 SMD chip resistor 1% 0.063W	Multicomp	MC 0.063W 0603 0R
6	H2 H3	2x10 2.54mm pitch PCB Socket Strip VERTICAL Long Lead	Samtec	SSQ-110-03-G-D
7	H1	2x4 2.54mm pitch PCB Socket Strip VERTICAL	Samtec	SSW-104-01-TD
8	U1	WM8524 Stereo DAC with integral Charge Pump	Wolfson Microelectronics	WM8524
9	PCB1	PCB	Kelan	WM8524-6228-DT16-M-REV1
Unpop				
10	J1 J2	1x2 PCB Pin Header 0.1" VERTICAL	Harwin	M20-9990245
11	R2 R3	25R5 0603 SMD chip resistor 1% 0.063W	Multicomp	MC 0.063W 0603 1% 25R5
12	C1 C5 C6 C8	0.1uF 0603 SMD Ceramic Capacitor 16V X7R	Phycomp	2238 786 15649
13	TP1 TP2 TP3	1.32mm off-board connection point	N/A	N/A

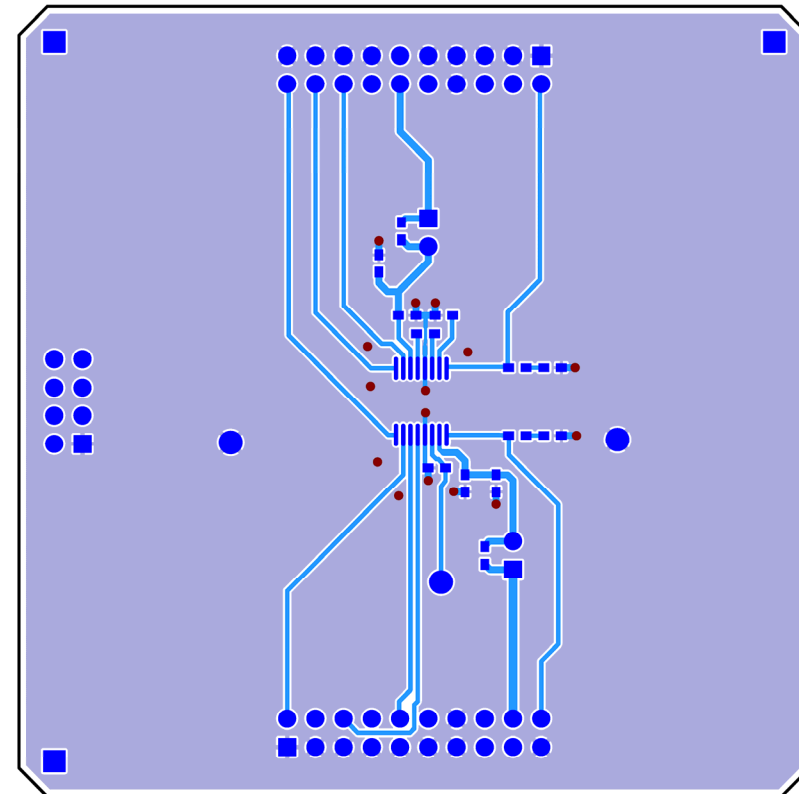
PCB LAYOUT



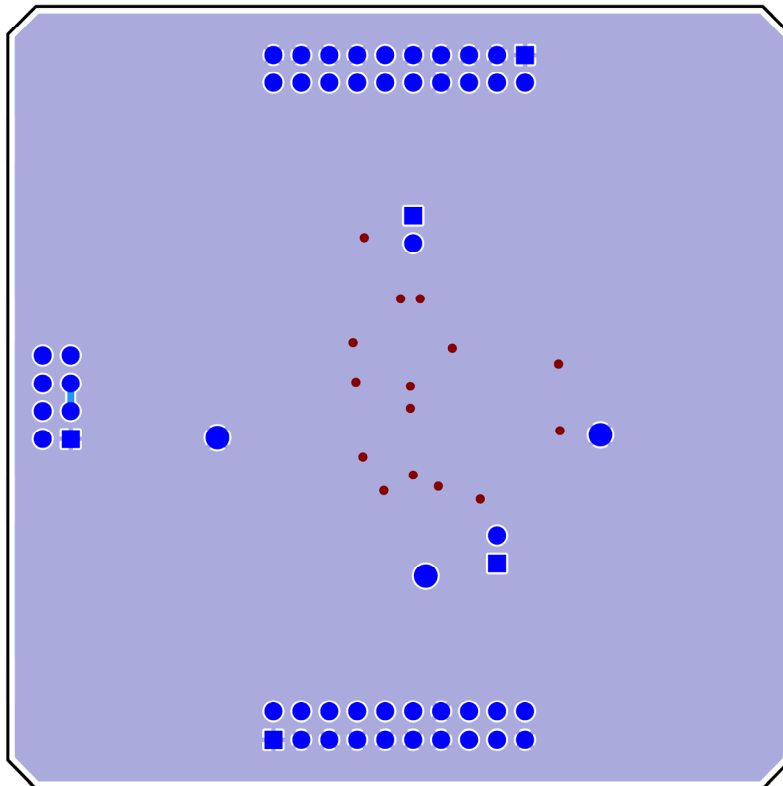
Top Layer: Overview



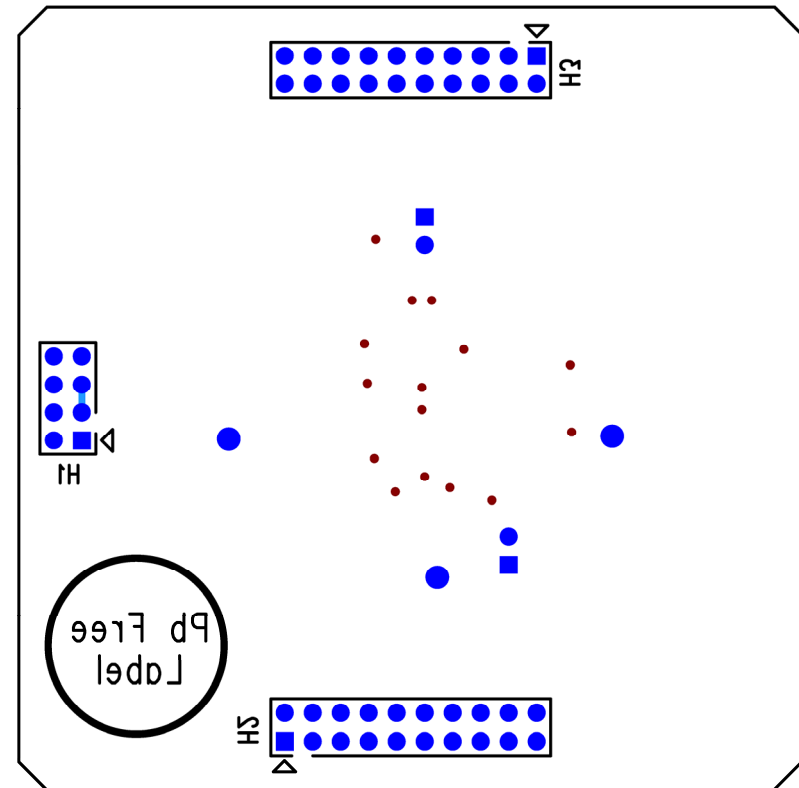
Top Layer: Silkscreen + Copper



Top Layer: Copper



Bottom Layer: Copper



Bottom Layer: Silkscreen + Copper

APPLICATION SUPPORT

If you require more information or require technical support, please contact the Wolfson Microelectronics Applications group through the following channels:

Email: apps@wolfsonmicro.com
Telephone Apps: +44 (0) 131 272 7070
Fax: +44 (0) 131 272 7001
Mail: Applications Engineering at the address on the last page

or contact your local Wolfson representative.

Additional information may be made available on our web site at: <http://www.wolfsonmicro.com>

IMPORTANT NOTICE

Wolfson Microelectronics plc (“Wolfson”) products and services are sold subject to Wolfson’s terms and conditions of sale, delivery and payment supplied at the time of order acknowledgement.

Wolfson warrants performance of its products to the specifications in effect at the date of shipment. Wolfson reserves the right to make changes to its products and specifications or to discontinue any product or service without notice. Customers should therefore obtain the latest version of relevant information from Wolfson to verify that the information is current.

Testing and other quality control techniques are utilised to the extent Wolfson deems necessary to support its warranty. Specific testing of all parameters of each device is not necessarily performed unless required by law or regulation.

In order to minimise risks associated with customer applications, the customer must use adequate design and operating safeguards to minimise inherent or procedural hazards. Wolfson is not liable for applications assistance or customer product design. The customer is solely responsible for its selection and use of Wolfson products. Wolfson is not liable for such selection or use nor for use of any circuitry other than circuitry entirely embodied in a Wolfson product.

Wolfson’s products are not intended for use in life support systems, appliances, nuclear systems or systems where malfunction can reasonably be expected to result in personal injury, death or severe property or environmental damage. Any use of products by the customer for such purposes is at the customer’s own risk.

Wolfson does not grant any licence (express or implied) under any patent right, copyright, mask work right or other intellectual property right of Wolfson covering or relating to any combination, machine, or process in which its products or services might be or are used. Any provision or publication of any third party’s products or services does not constitute Wolfson’s approval, licence, warranty or endorsement thereof. Any third party trade marks contained in this document belong to the respective third party owner.

Reproduction of information from Wolfson datasheets is permissible only if reproduction is without alteration and is accompanied by all associated copyright, proprietary and other notices (including this notice) and conditions. Wolfson is not liable for any unauthorised alteration of such information or for any reliance placed thereon.

Any representations made, warranties given, and/or liabilities accepted by any person which differ from those contained in this datasheet or in Wolfson’s standard terms and conditions of sale, delivery and payment are made, given and/or accepted at that person’s own risk. Wolfson is not liable for any such representations, warranties or liabilities or for any reliance placed thereon by any person.

ADDRESS:

Wolfson Microelectronics plc
Westfield House
26 Westfield Road
Edinburgh
EH11 2QB
United Kingdom
Tel :: +44 (0)131 272 7000
Fax :: +44 (0)131 272 7001
Email :: apps@wolfsonmicro.com