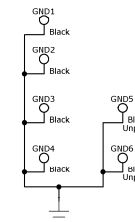
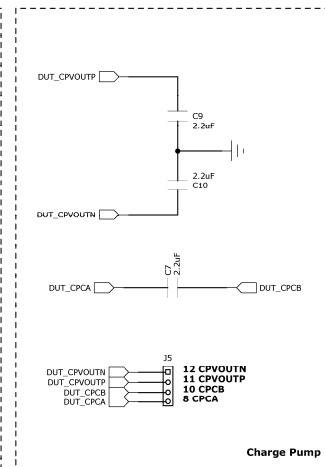
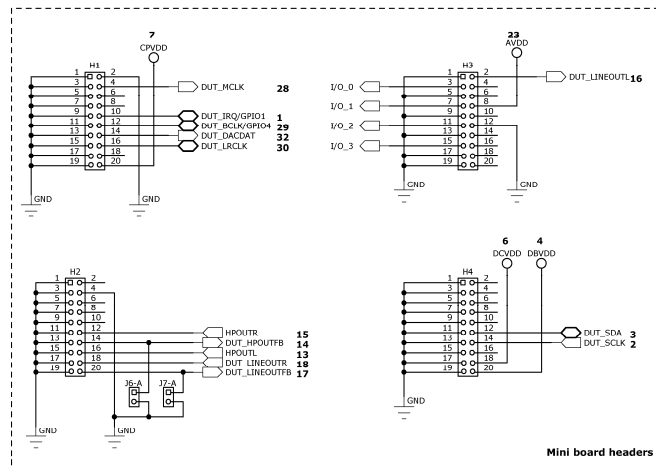
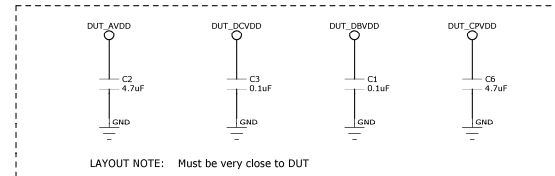
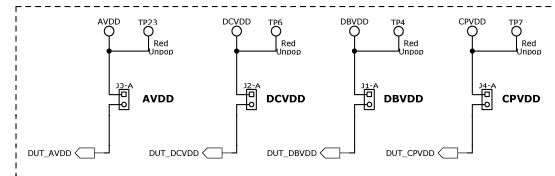
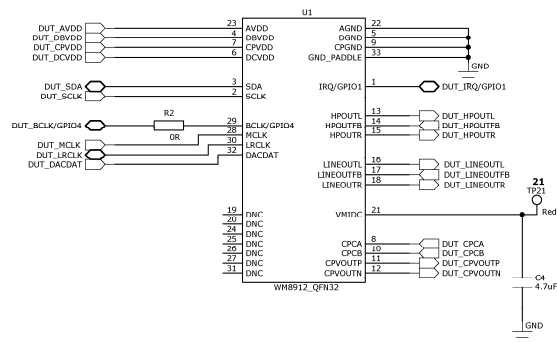


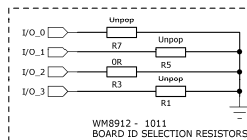
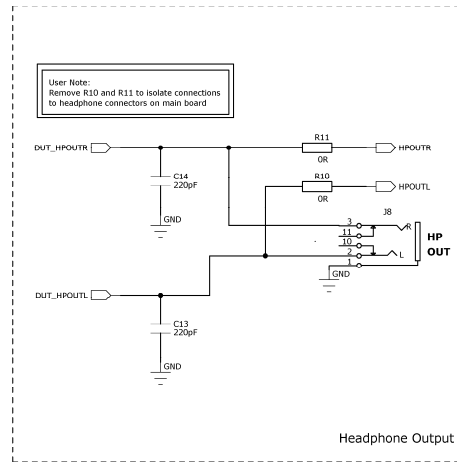
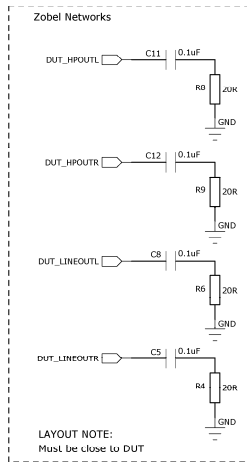
DOC TYPE:	SCHEMATIC AND LAYOUT
BOARD REFERENCE:	WM8912-6201-FL32-M
BOARD TYPE:	Customer Mini
WOLFSON DEVICE(S):	WM8912
DATE:	September 2009
DOC REVISION:	1.0

SCHEMATIC

Sheet 1: WM8912



Sheet 2: Headphone out, Reference tables



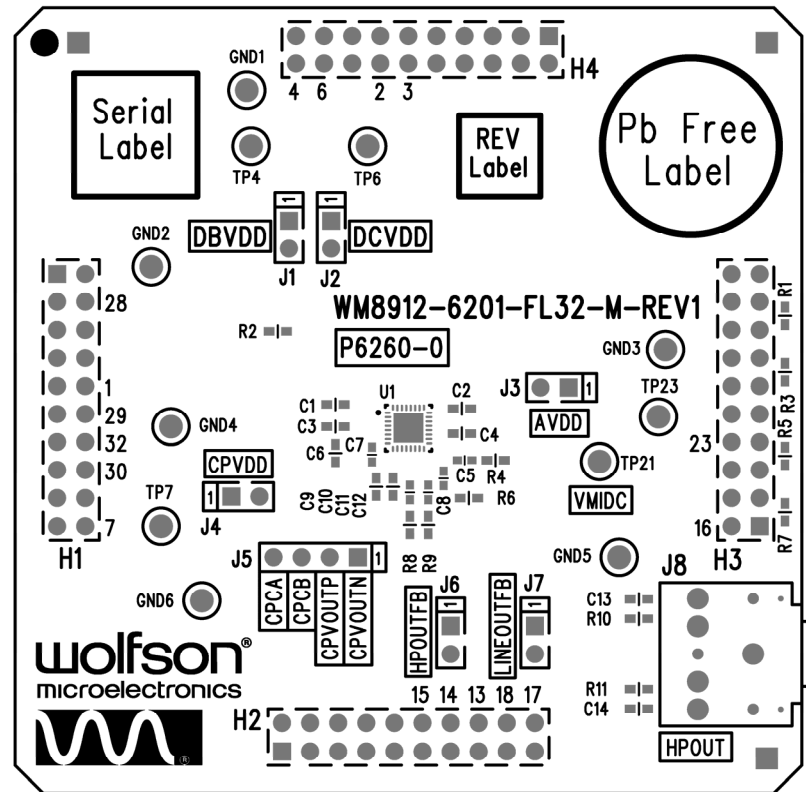
REFERENCE TABLES

	Short	Open	LNK
J1-D	DDVDD to DUT	No DDVDD to DUT	LNK_21 RED
PCB Ref:	DDVDD		Short
J2-B	DCVDD to DUT	No DCVDD to DUT	LNK_22 RED
PCB Ref:	DCVDD		Short
J3-B	AVDD to DUT	No AVDD to DUT	LNK_23 RED
PCB Ref:	AVDD		Short
J4-R	CPVDD to DUT	No CPVDD to DUT	LNK_24 RED
PCB Ref:	CPVDD		Short
J6-B	HPOUTFB grounded	HPOUTFB Floating	LNK_26 YELLOW
PCB Ref:	HPOUTFB Grounded		Short
J7-B	LINEOUTFB grounded	LINEOUTFB Floating	LNK_27 YELLOW
PCB Ref:	LINEOUTFB grounded		Short

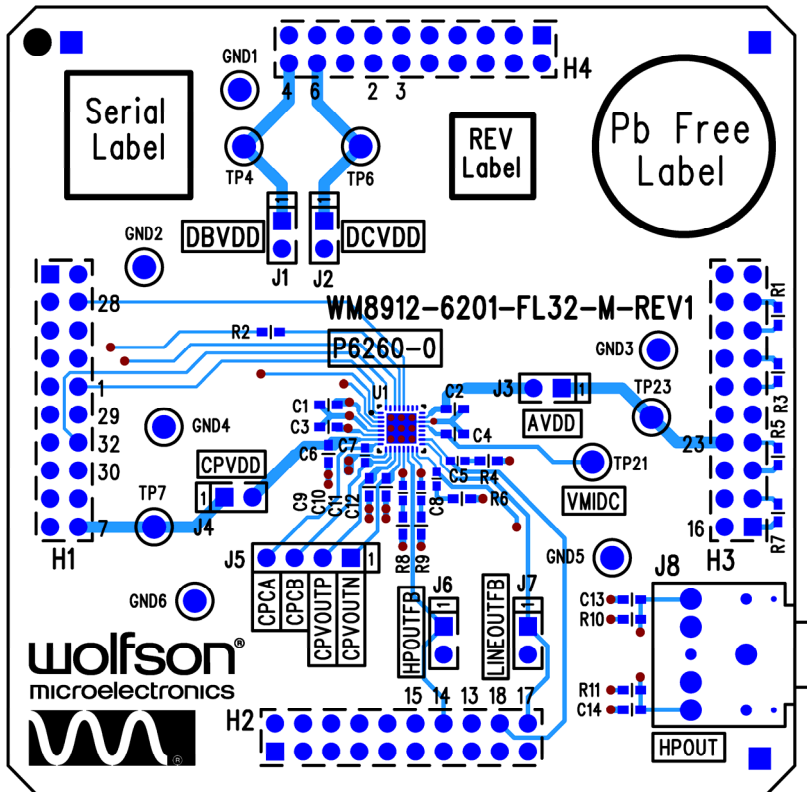
BILL OF MATERIALS (BOM)

<i>Item</i>	<i>RefDes</i>	<i>Description</i>	<i>Manufacturer</i>	<i>Manufacturer's Part Number</i>
1	J8	3.5mm Jack Socket 6.5mm Centre Height	Technik Industrial	TSH-3565-PBT-TIC-T
2	C9 C10	2.2uF 0603 SMD Ceramic Capacitor 10V X5R	MuRata	GRM188R61A225KE34D
3	C2 C4 C6	4.7uF 0603 SMD Ceramic Capacitor 6.3V X5R	MuRata	GRM188R60J475KE19D
4	J1 J2 J3 J4 J6 J7	1x2 PCB Pin Header 0.1" VERTICAL	Harwin	M20-9990245
5	J5	1x4 2.54mm PCB Header Vertical	Harwin	M20-9990445
6	C7	2.2uF 0402 SMD Ceramic Capacitor 6.3V X5R	Kemet	C0402C225M9PAC
7	MISC2	Lead-free label, 15mm round	Pro Power	7827260
8	C1 C3	0.1uF 0603 SMD Ceramic Capacitor 16V X7R	Phycomp	2238 786 15649
9	C13 C14	220pF 0603 SMD Ceramic Capacitor 50V NPO	AVX	06035A221JAT2A
10	GND1 GND2 GND3 GND4	1.32mm PCB Test Terminal BLACK	Vero	20-2136
11	TP21	1.32mm PCB Test Terminal RED	Vero	20-313141
12	C5 C8 C11 C12	0.1uF 0402 SMD Ceramic Capacitor 16V X7R	MuRata	GRM155R71C104KA88D
13	R4 R6 R8 R9	20R 0603 SMD chip resistor 1% 0.063W	Multicomp	MC 0.063W 0603 1% 20R
14	R2 R3 R10 R11	0R 0603 SMD chip resistor 1% 0.063W	Multicomp	MC 0.063W 0603 0R
15	LNK_J1 LNK_J2 LNK_J3 LNK_J4	0.1" OPEN JUMPER LINK RED	Protech	22-3565
16	LNK_J6 LNK_J7	0.1" OPEN JUMPER LINK YELLOW	Protech	22-3570
17	H1 H2 H3 H4	2x10 2.54mm pitch PCB Socket Strip VERTICAL Long Lead	Samtec	SSQ-110-03-G-D
18	PCB1	PCB	Kelan Circuits Ltd	WM8912-6201-FL32-M-REV1
19	U1	WM8912 Ultra Low Power DAC with Headphone Driver for Portable Audio Applications	Wolfson Microelectronics	WM8912GEFL
Unpop				
20	GND5 GND6	1.32mm PCB Test Terminal BLACK	Vero	20-2136
21	TP4 TP6 TP7 TP23	1.32mm PCB Test Terminal RED	Vero	20-313141
22	R1 R5 R7	0R 0603 SMD chip resistor 1% 0.063W	Multicomp	MC 0.063W 0603 0R

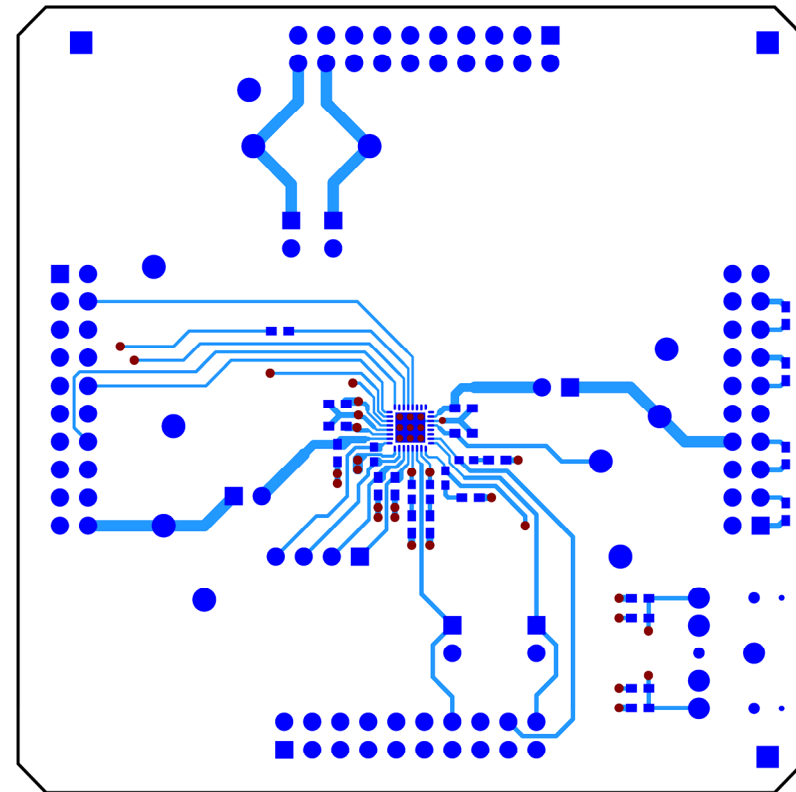
PCB LAYOUT



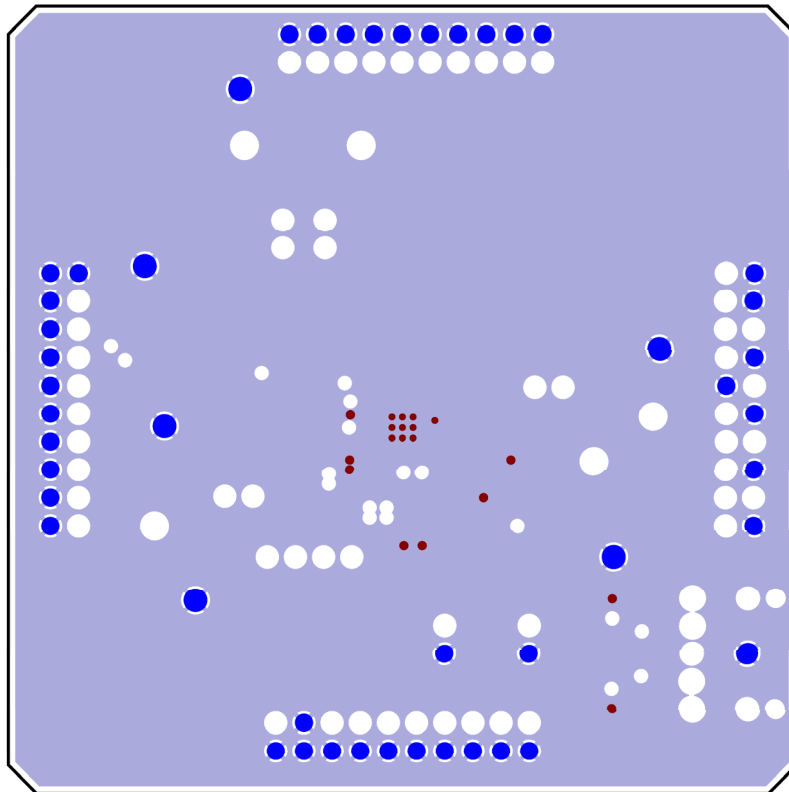
Top Layer: Overview



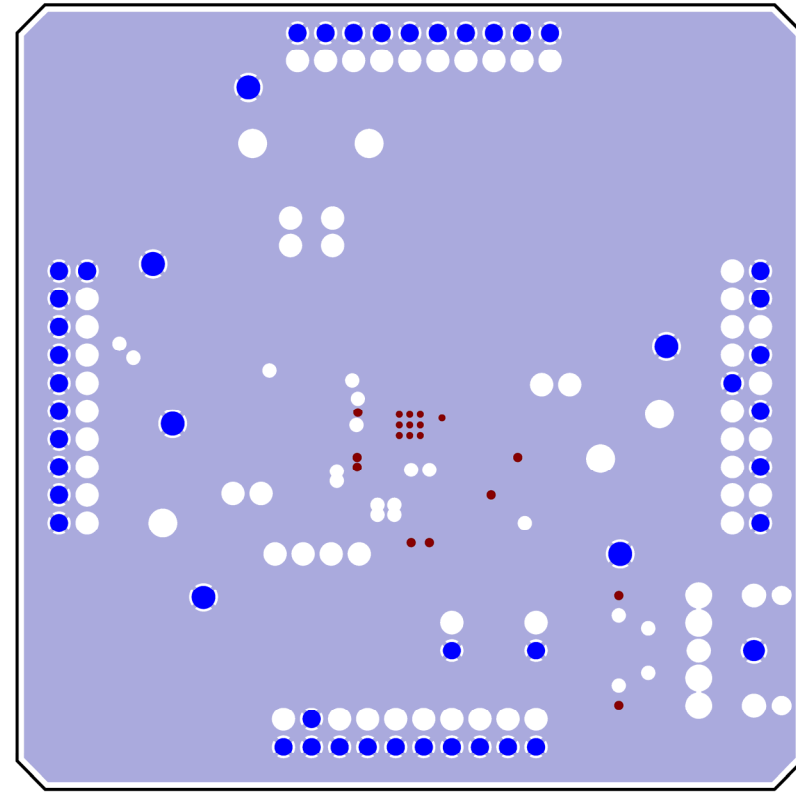
Top Layer: Silkscreen + Copper



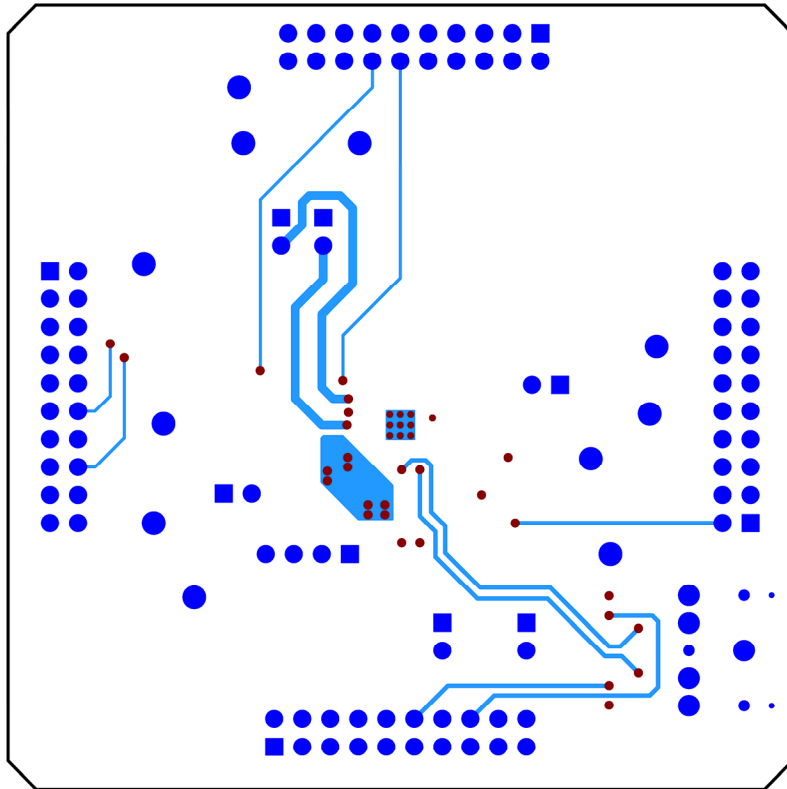
Top Layer: Copper



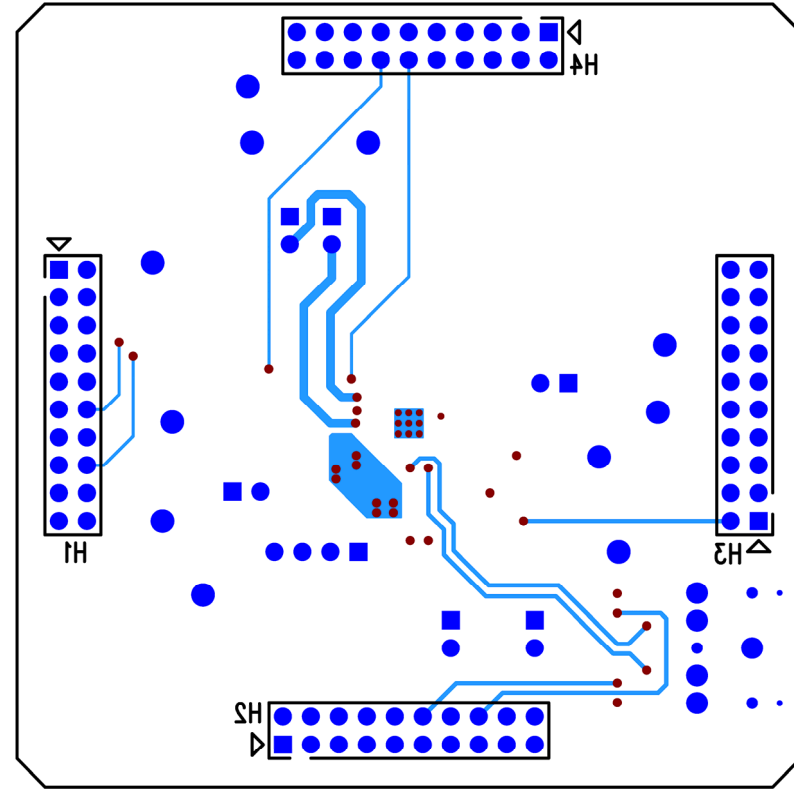
Layer 2: Copper



Layer 3: Copper



Bottom Layer: Copper



Bottom Layer: Silkscreen + Copper

APPLICATION SUPPORT

If you require more information or require technical support, please contact the Wolfson Microelectronics Applications group through the following channels:

Email: apps@wolfsonmicro.com
Telephone Apps: +44 (0) 131 272 7070
Fax: +44 (0) 131 272 7001
Mail: Applications Engineering at the address on the last page

or contact your local Wolfson representative.

Additional information may be made available on our web site at: <http://www.wolfsonmicro.com>

IMPORTANT NOTICE

Wolfson Microelectronics plc (“Wolfson”) products and services are sold subject to Wolfson’s terms and conditions of sale, delivery and payment supplied at the time of order acknowledgement.

Wolfson warrants performance of its products to the specifications in effect at the date of shipment. Wolfson reserves the right to make changes to its products and specifications or to discontinue any product or service without notice. Customers should therefore obtain the latest version of relevant information from Wolfson to verify that the information is current.

Testing and other quality control techniques are utilised to the extent Wolfson deems necessary to support its warranty. Specific testing of all parameters of each device is not necessarily performed unless required by law or regulation.

In order to minimise risks associated with customer applications, the customer must use adequate design and operating safeguards to minimise inherent or procedural hazards. Wolfson is not liable for applications assistance or customer product design. The customer is solely responsible for its selection and use of Wolfson products. Wolfson is not liable for such selection or use nor for use of any circuitry other than circuitry entirely embodied in a Wolfson product.

Wolfson’s products are not intended for use in life support systems, appliances, nuclear systems or systems where malfunction can reasonably be expected to result in personal injury, death or severe property or environmental damage. Any use of products by the customer for such purposes is at the customer’s own risk.

Wolfson does not grant any licence (express or implied) under any patent right, copyright, mask work right or other intellectual property right of Wolfson covering or relating to any combination, machine, or process in which its products or services might be or are used. Any provision or publication of any third party’s products or services does not constitute Wolfson’s approval, licence, warranty or endorsement thereof. Any third party trade marks contained in this document belong to the respective third party owner.

Reproduction of information from Wolfson datasheets is permissible only if reproduction is without alteration and is accompanied by all associated copyright, proprietary and other notices (including this notice) and conditions. Wolfson is not liable for any unauthorised alteration of such information or for any reliance placed thereon.

Any representations made, warranties given, and/or liabilities accepted by any person which differ from those contained in this datasheet or in Wolfson’s standard terms and conditions of sale, delivery and payment are made, given and/or accepted at that person’s own risk. Wolfson is not liable for any such representations, warranties or liabilities or for any reliance placed thereon by any person.

ADDRESS:

Wolfson Microelectronics plc
Westfield House
26 Westfield Road
Edinburgh
EH11 2QB
United Kingdom
Tel :: +44 (0)131 272 7000
Fax :: +44 (0)131 272 7001
Email :: apps@wolfsonmicro.com