

6

5

4

3

2

1

D

D

C

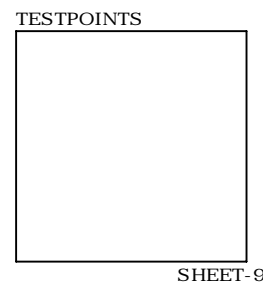
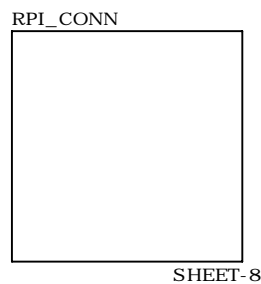
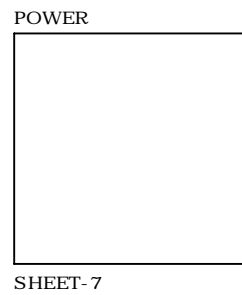
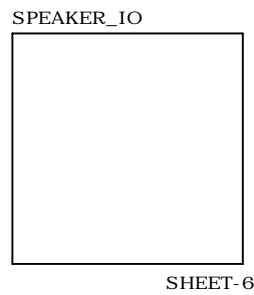
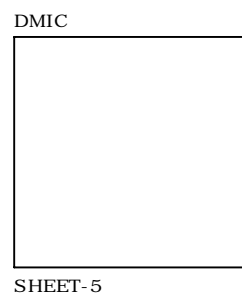
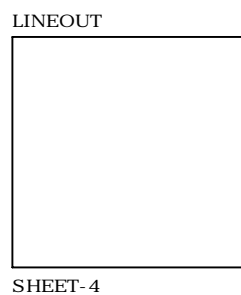
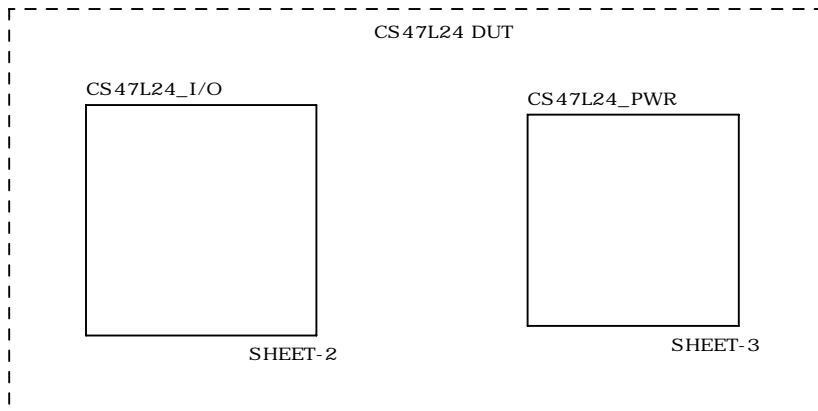
C

B

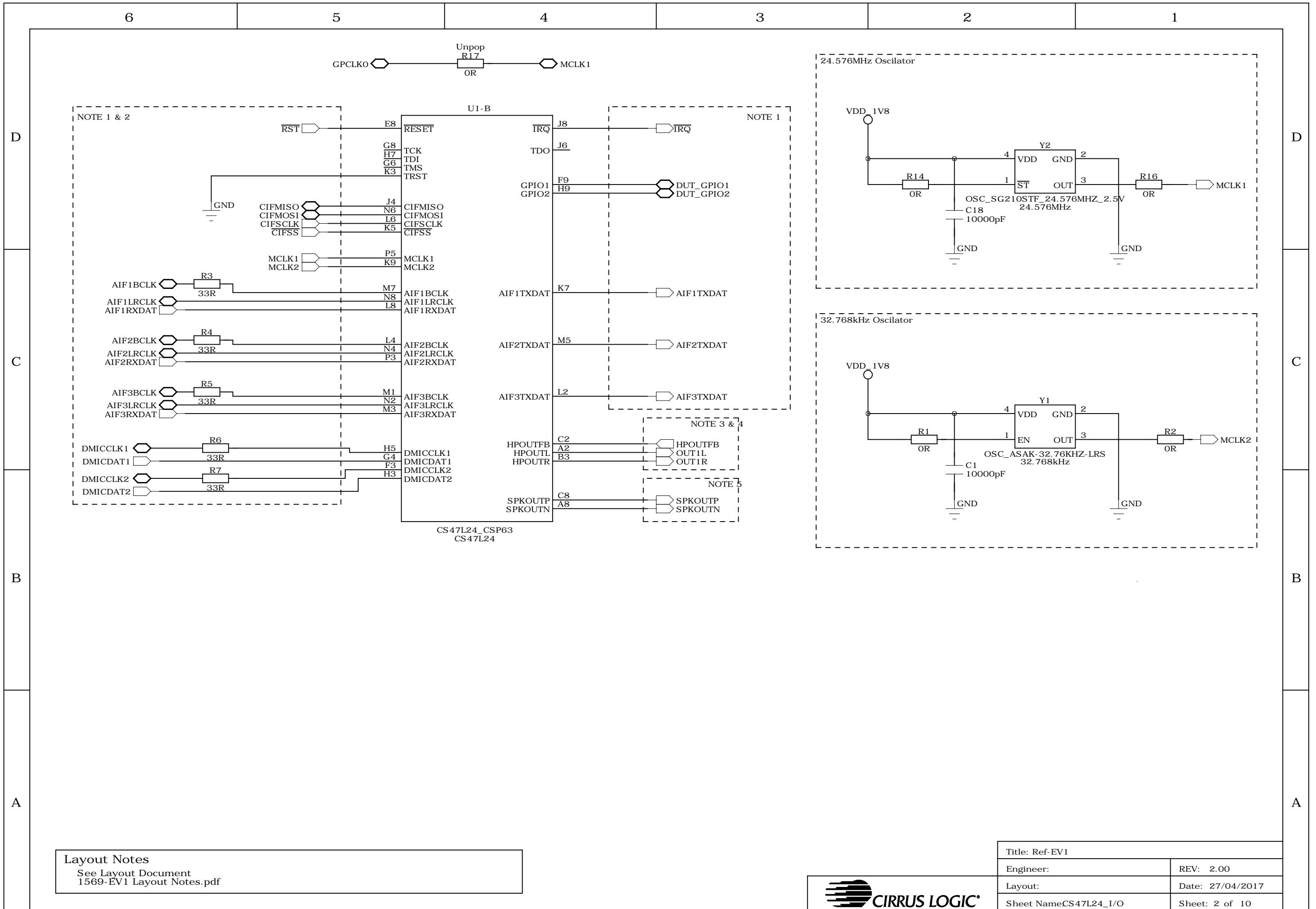
B

A

A



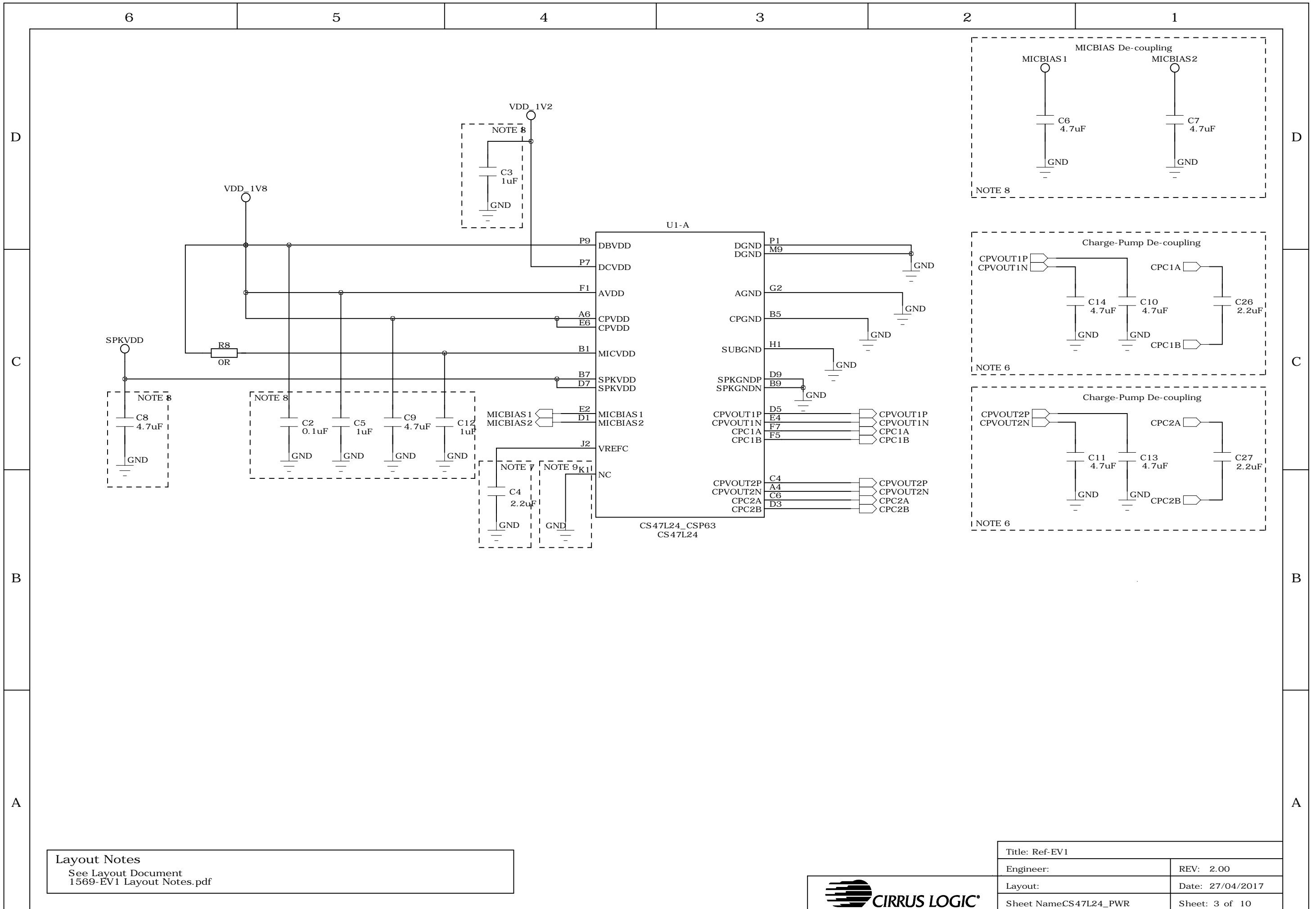
Title: Ref-EV1	
Engineer:	REV: 2.00
Layout:	Date: 27/04/2017
Sheet Name: MAIN_SCHEM	Sheet: 1 of 10



Layout Notes
 See Layout Document
 1569-EV1 Layout Notes.pdf

Title: Ref-EV1	
Engineer:	REV: 2.00
Layout:	Date: 27/04/2017
Sheet Name: CS47L24_I/O	Sheet: 2 of 10





6

5

4

3

2

1

D

D

C

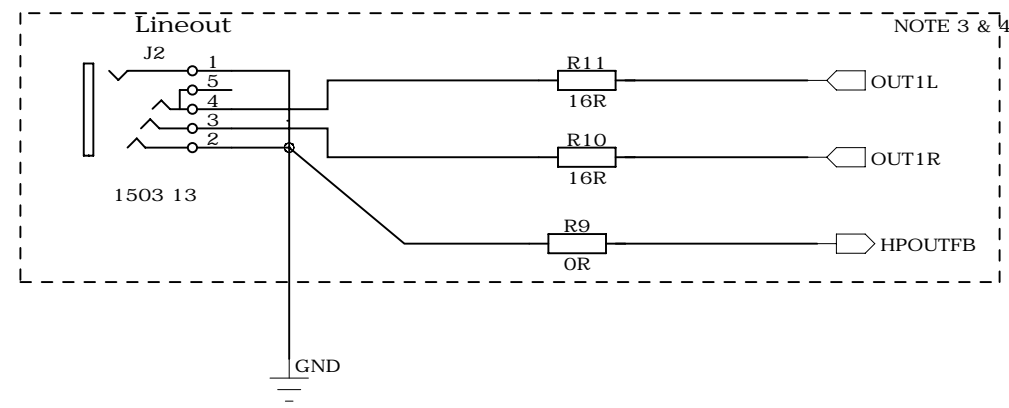
C

B

B

A

A



Title: Ref-EV1	
Engineer:	REV: 2.00
Layout:	Date: 27/04/2017
Sheet Name: LINEOUT	Sheet: 4 of 10



6

5

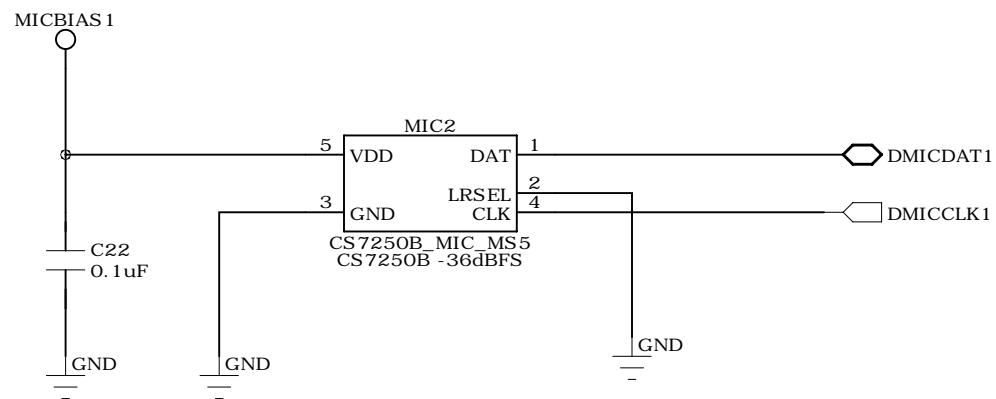
4

3

2

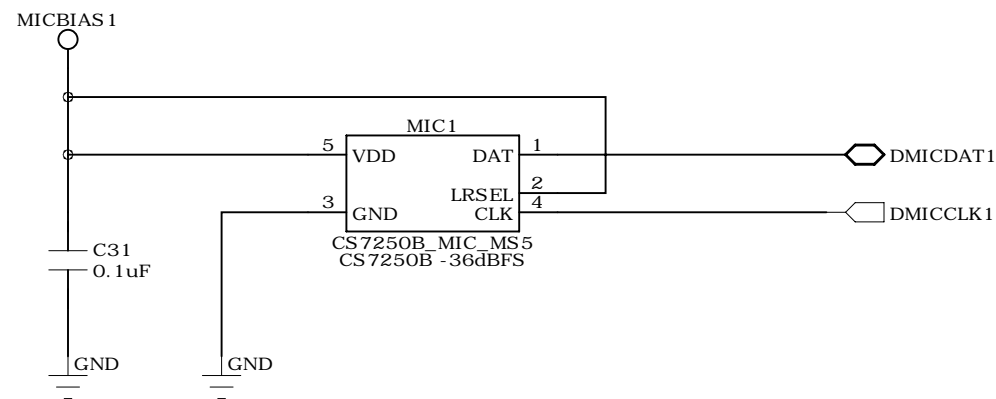
1

MICROPHONE CIRCUIT - Left



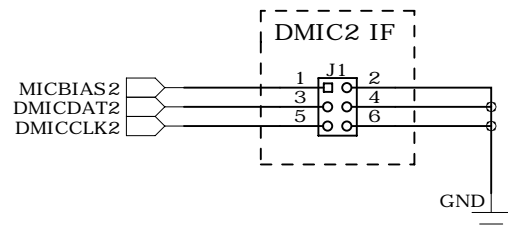
NOTE 10

MICROPHONE CIRCUIT - Right



NOTE 10

DMIC 2 Interface



Layout Notes

See Layout Document
1569-EV1 Layout Notes.pdf



Title: Ref-EV1	
Engineer:	REV: 2.00
Layout:	Date: 27/04/2017
Sheet Name: DMIC	Sheet: 5 of 10

6

5

4

3

2

1

D

D

C

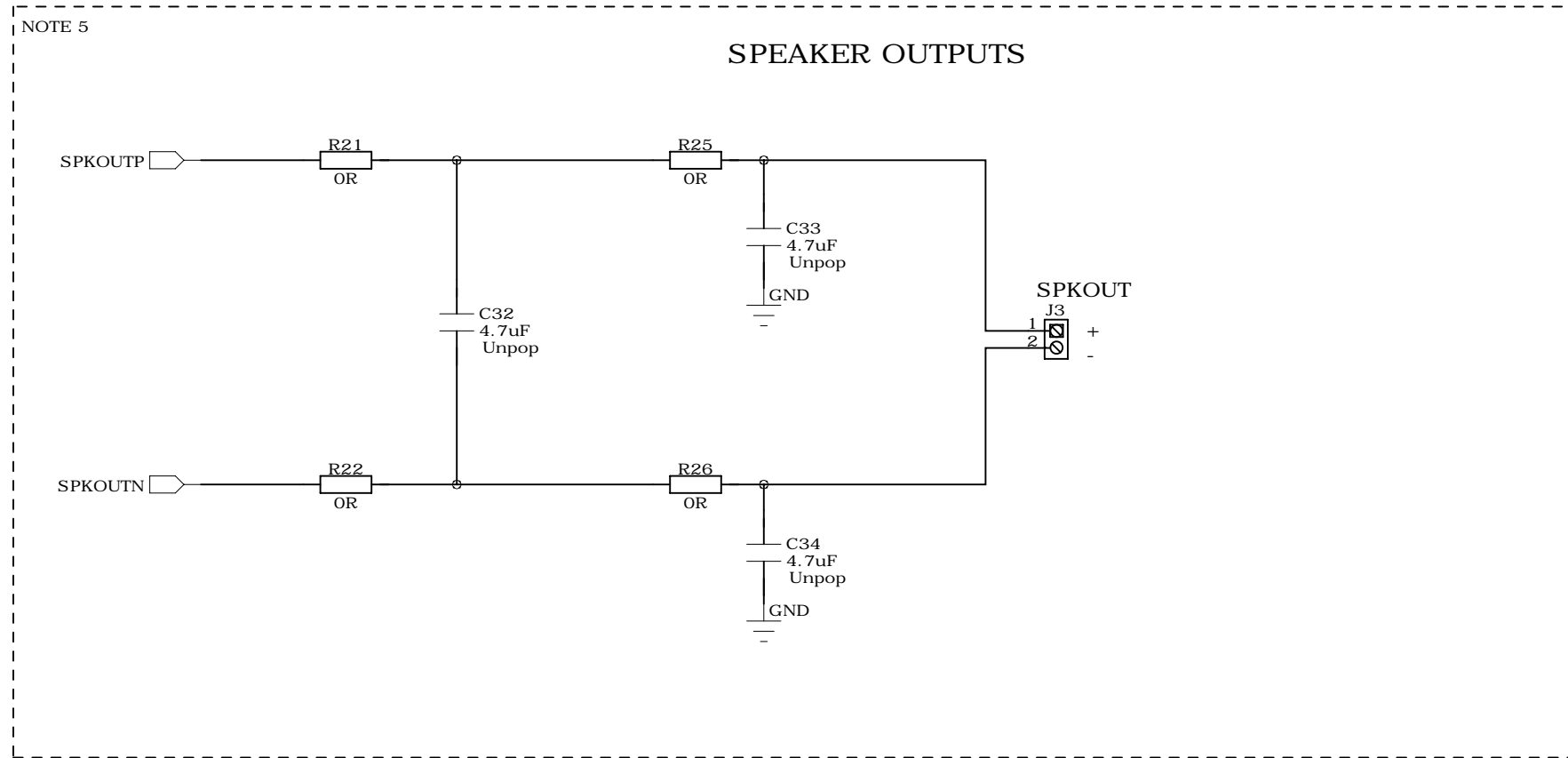
C

B

B

A

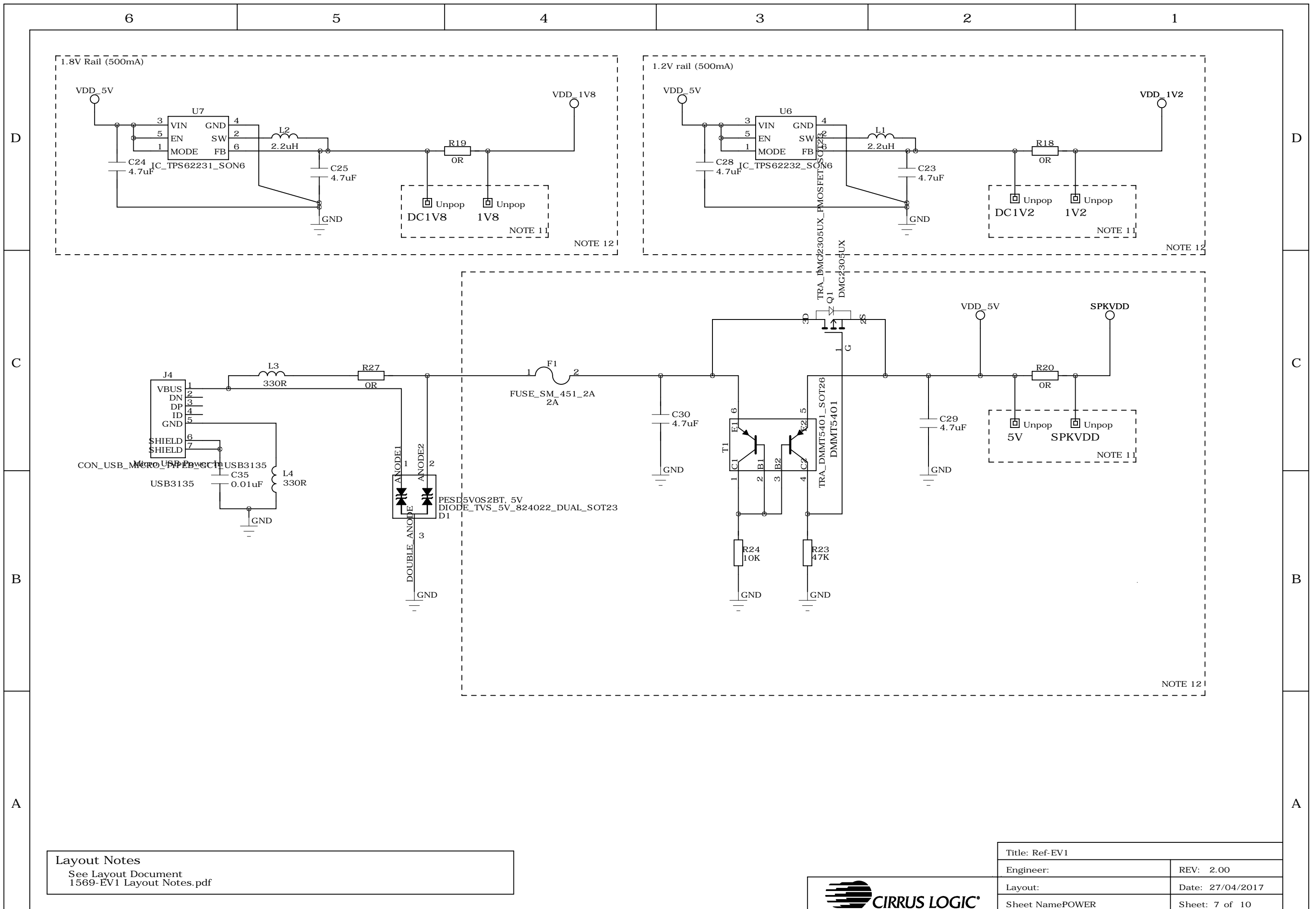
A



Layout Notes
 See Layout Document
 1569-EV1 Layout Notes.pdf



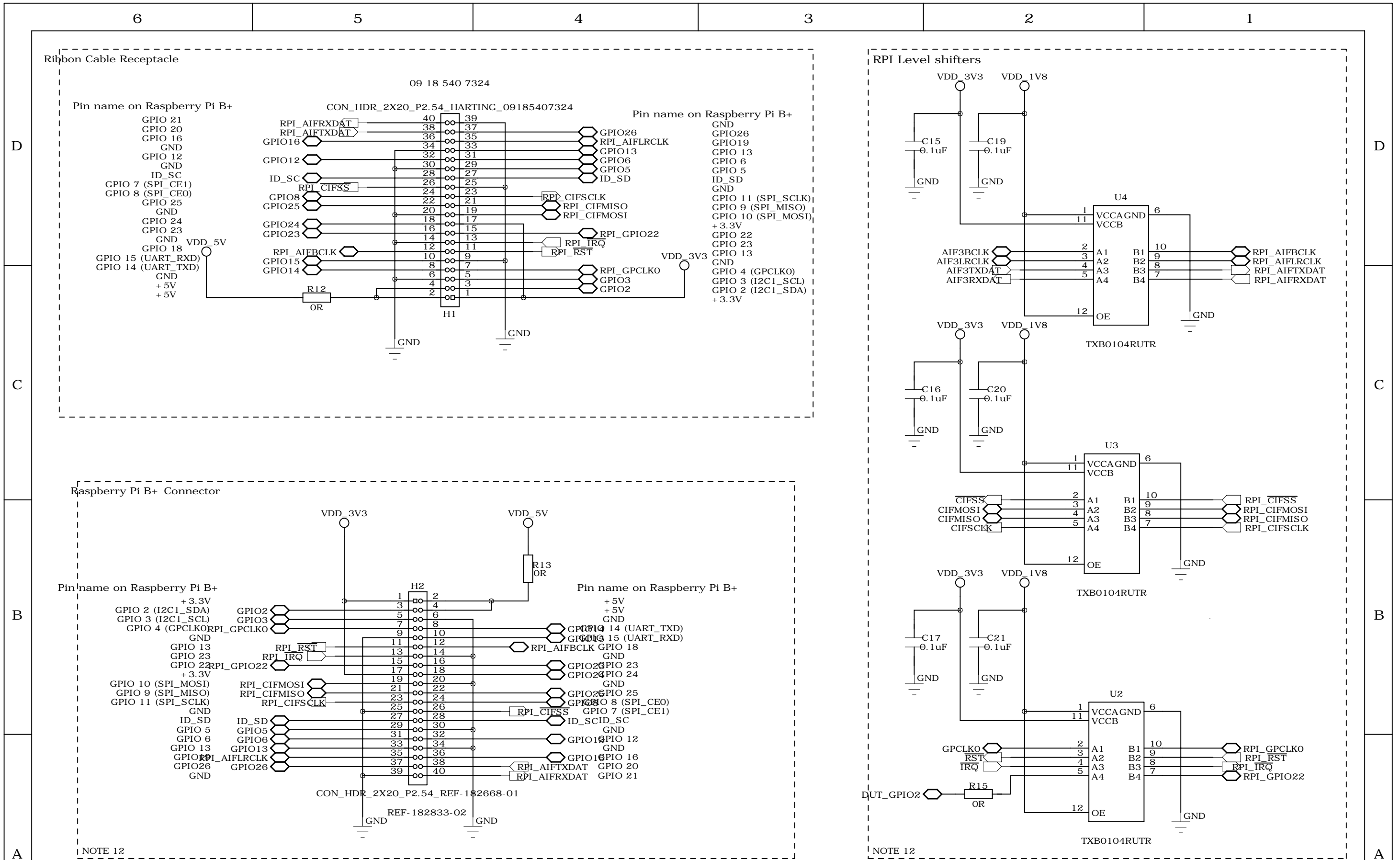
Title: Ref-EV1	
Engineer:	REV: 2.00
Layout:	Date: 27/04/2017
Sheet Name: SPEAKER_IO	Sheet: 6 of 10



Layout Notes
 See Layout Document
 1569-EV1 Layout Notes.pdf



Title: Ref-EV1	
Engineer:	REV: 2.00
Layout:	Date: 27/04/2017
Sheet Name: POWER	Sheet: 7 of 10



Layout Notes

See Layout Document
1569-EV1 Layout Notes.pdf

Title: Ref-EV1	
Engineer:	REV: 2.00
Layout:	Date: 27/04/2017
Sheet Name: RPI_CONN	Sheet: 8 of 10



6

5

4

3

2

1

D

D

C

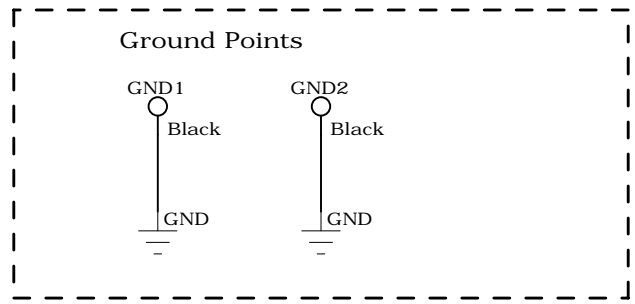
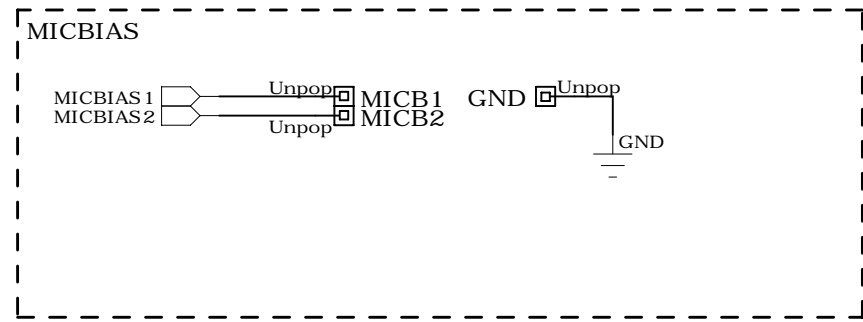
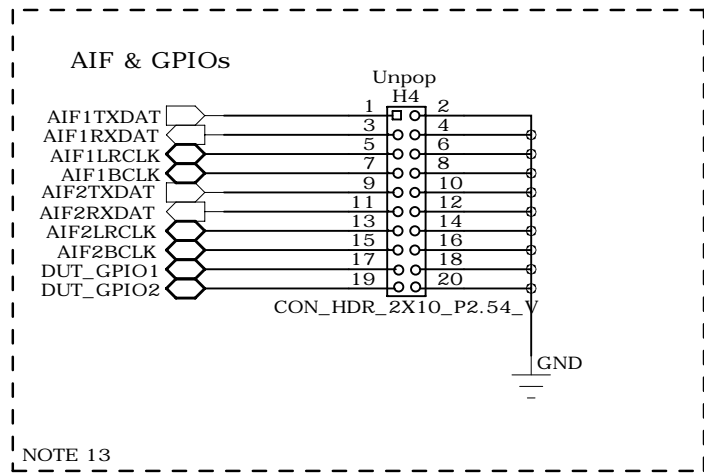
C

B

B

A

A



Layout Notes

See Layout Document
1569-EV1 Layout Notes.pdf



Title: Ref-EV1	
Engineer:	REV: 2.00
Layout:	Date: 27/04/2017
Sheet Name: TESTPOINTS	Sheet: 9 of 10

6

5

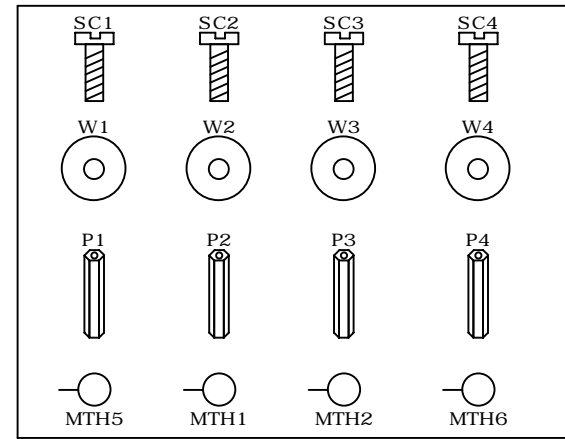
4

3

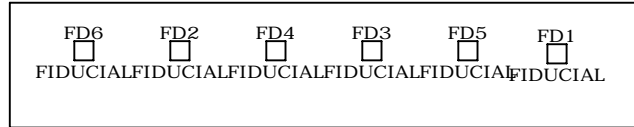
2

1

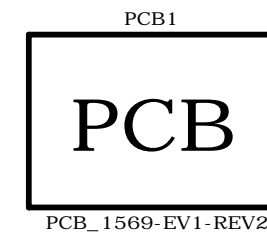
STANDARD MECHANICAL REQUIREMENTS



STANDARD MECHANICAL REQUIREMENTS



BLANK PCB DETAILS



Revision History:

- Rev0.01 – Based on CDB47L24-M-1-REV1.01 (CMcA)
- REV1.00 – Schematic received and pre-validated (JK)
- Rev1.02 – Added series termination resistors to DMICCLK1&2 (CMcA)
32.768kHz Oscillator (Y2) changed to populated by default
- Rev1.03 – Changed stand-offs to 12mm. Renumbered PCB & back-annotated. Validated schematic (JK)
- Rev 2.00 – Changed RPI connectors, Swap pin 35,37, rename GPIO19 to GPIO26. Added GND1, GND2 Test Points (DG)

Title: Ref-EV1	
Engineer:	REV: 2.00
Layout:	Date: 27/04/2017
Sheet Name: TABLES_MECH_REVHIS	Sheet: 1 of 10

