

CS5525
CS5526

16-Bit/20-Bit $\Delta\Sigma$ Multi-Range ADC with 4-Bit Latch

The following information is based on
technical datasheet:

DS202PP5 AUG '97

Please contact Cirrus Logic:
Crystal Semiconductor Products Division
for further product information.

CRYSTAL SEMICONDUCTOR PRODUCTS DIVISION PRODUCT INFORMATION

Copyright © Cirrus Logic, Inc. 1998
(All Rights Reserved)

PI202PP3 JAN '98

16/20-Bit $\Delta\Sigma$ Multi-Range ADC w/ 4-Bit Latch

Features

- Delta-Sigma A/D Converter
 - Linearity Error: 0.0015%FS
 - Noise Free Resolution: 18-bits
- Bipolar/Unipolar Input Ranges
 - 25 mV, 55 mV, 100 mV, 1 V, 2.5 V and 5 V
- Chopper Stabilized Instrumentation Amplifier
- On-Chip Charge Pump Drive Circuitry
- 4-Bit Output Latch
- Simple three-wire serial interface
 - SPI™ and Microwire™ Compatible
 - Schmitt Trigger on Serial Clock (SCLK)
- Programmable Output Word Rates
 - 3.76 Hz to 202Hz (XIN = 32.768 kHz)
 - 11.47 Hz to 616 Hz (XIN = 100 kHz)
- Output Settles in One Conversion Cycle
- Simultaneous 50/60 Hz Noise Rejection
- System and Self-Calibration with Read/Write Registers
- Single +5 V Analog Supply
+3.0 V or +5 V Digital Supply
- Low Power Mode Consumption: 4 mW
 - 1.8 mW in 1 V, 2.5 V, and 5 V Input Ranges

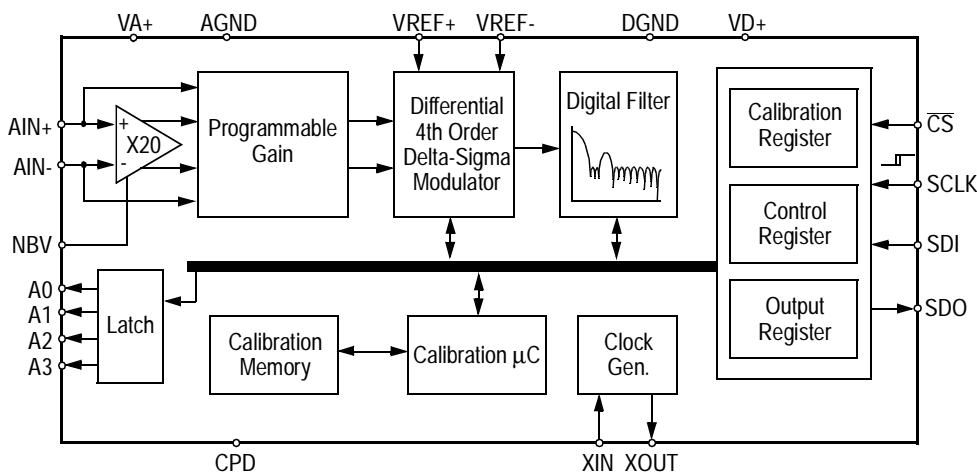
Description

The 16-bit CS5525 and the 20-bit CS5526 are highly integrated $\Delta\Sigma$ A/D converters which include an instrumentation amplifier, a PGA (programmable gain amplifier), eight digital filters, and self and system calibration circuitry.

The converters are designed to provide their own negative supply which allows their on-chip instrumentation amplifiers to measure bipolar ground-referenced signals $\leq \pm 100$ mV. By directly supplying NBV with -2.5 V and with VA+ at 5 V, ± 2.5 V signals (with respect to ground) can be measured.

The digital filters provide programmable output update rates between 3.76 Hz to 202 Hz ($XIN = 32.768$ kHz). Output word rates can be increased by approximately $3X$ by using $XIN = 100$ kHz. Each filter is designed to settle to full accuracy for its output update rate in one conversion cycle. The filters with word rates of 15 Hz or less ($XIN = 32.768$ kHz) reject both 50 and 60 Hz (± 3 Hz) line interference simultaneously.

Low power, single conversion settling time, programmable output rates, and the ability to handle negative input signals make these single supply products ideal solutions for isolated and non-isolated applications.



Overview

The CS5525 and CS5526 are 16 and 20-bit A/D converters respectively, employing the Delta-Sigma topology. They are highly integrated with an on-chip chopper stabilized instrumentation amplifier, programmable gain amplifier, charge pump drive circuitry and negative bias voltage input all operating from a single +5 V supply. A simple programming structure and 3-wire SPI™ and Microwire™ compatible interface enables selectable output word rates, system/self-calibration with read/write registers and the ability to control external portions of the application circuit via the on-chip 4-bit output latch.

FAQs

- 1) Do you have a four channel part?
A: Not at this time, but we have plans to do a multi-channel product Q4 '97. We also have 4 digital output lines which can be used to control either switches or a multiplexer through the ADC's serial port, thus eliminating the use of an extra port on the system mC and additional opto-isolators in isolated applications.
- 2) How does the 4-bit digital latch on a DS ADC allow me to change channels?
A: The CS5525 and CS5526 as well as the CS5504 family of ADC's are designed to settle in one conversion cycle. This means a mux can be switched from channel-to-channel with every conversion while maintaining resolution and accuracy.
- 3) What determines the input span of the converter?
A: Performing a full scale gain calibration, or modifying the reference voltage. For example, if the reference voltage is reduced by 50% the default input ranges scale by one half. Example: $V_{ref} = 2.5 \text{ V}$, $V_{in} = 25 \text{ mV}$ to 5 V and $V_{ref} = 1.25 \text{ V}$, $V_{in} = 12.5 \text{ mV}$ to 2.5 V .
- 4) How does the output word rate affect the ADC's bandwidth?

A: The input bandwidth is limited to 1/2 the selected output word rate due to the Nyquist theory of sampling. Example: With the default 15 Hz output word rate the available signal bandwidth of the ADC is 7.5 Hz.

5) What is recommended if I need more or less bandwidth than is provided by the on-chip digital filter?

A: Use an external clock between 30 KHz and 100 KHz to scale the digital filters corner frequency accordingly. Example: Using a 3x clock = $3 \times 32.768 \text{ kHz} = 3 \times \text{the word rate} = 3 \times 3.76 \text{ Hz to } 3 \times 202 \text{ Hz} = 11.47 \text{ Hz to } 616 \text{ Hz}$.

6) How fast can the converter shift data from its serial port?

A: Up to 2 Mhz.

7) How does the instrumentation amplifier's chopping frequency affect the converter's input impedance and input current?

A: The input impedance of the converter is a dynamic impedance and depends on whether the instrumentation amplifier is engaged or not. For the lower ranges (25 mV, 55 mV, 100 mV), the instrumentation amplifier is engaged setting the input impedance to $1/fC$ (where C is 2 pF, and f is the chopping frequency, either 256 or 32,768). A typical input impedance for the lower ranges is 1900 MW (with $f = 256$, and $C = 2 \text{ pF}$). For the higher ranges (1 V, 2.5 V, and 5 V), the amplifier is bypassed leaving an equivalent input impedance of $1/fC$ where C is 32 pF and f is either 256 or 32,768. A typical input impedance for the higher ranges is 120 MW (with $f = 256$ and $C = 2 \text{ pF}$).

The input current is a dynamic current and also depends on whether the instrumentation amplifier is engaged or not. For the lower ranges (25 mV, 55 mV, 100 mV), the input current is $fV_{os}C$ (where V_{os} is the offset of the instrumentation amplifier, typically less than 40 mV, f is the chopping frequency, either 256 or 32,768, and C is 2 pF). A typical input current for the lower ranges is 100 pA. For the higher ranges (1 V, 2.5 V, and 5 V), the input current is $[(V_{AIN+}) - (V_{AIN-})]fC$ where $(V_{AIN+}) -$

(VAIN-) is the voltage between AIN+ and AIN-, f is either 256 or 32,768, and C is 32 pF. A typical input current for the higher ranges is 1.2 μ A/V.

8) When reading the conversion data I get all zeroes no matter what the analog signal is. Please explain why.

A: Check the voltage between pins 19 and 20 (VREF+ and VREF-). If it is zero, the converter will compute all zeros because the digital output word represents the ratio of the input signal to the voltage reference.

9) Is calibration required to use the converter?

A: When the CS5525/26 is reset, the registers are set to known values. If the signal to be measured by the converter is within the nominal range, the converter can perform conversions without the need for calibrations. Errors in the system remain present when calibration is not performed, however, this may be acceptable if the errors are insignificant to the measurement or if the errors are removed by some other means, such as software and registers in the microcontroller.

10) How often do I need to recalibrate?

A: To answer this question one must ask: 1) What accuracy is required from the A/D converter? 2) What effects will temperature changes have upon the entire circuit, including components outside the A/D? To obtain optimum calibration accuracy, a calibration should be performed approximately one minute after power is applied to allow the chip to reach thermal equilibrium.

A higher accuracy measurement requirement will generally require calibrations more often, because, after the initial calibration has been performed, the converter is subject to some drift if the operating temperature changes. Typical offset drift and gain drift are given in the data sheet tables. The observed drift in the application circuit may be considerably greater due to parasitic thermocouple effects and gain drift caused by the limited tempco tracking of the external resistors. Once an estimate of drift is determined for the entire application circuit (drift will usually be dominated by error sources external to the converter), an assessment of

how it affects measurement accuracy as temperature changes can be made. Once the amount of drift is known, you can determine if a new calibration is required. A good rule of thumb is to recalibrate the converter (or system) with every ten degrees of ambient temperature change.

11) What do the numbers in the calibration registers actually mean?

A: There are two internal read/write calibration registers in the CS5525/26 (offset, and gain). One LSB in the offset register is 2^{-24} proportion of the input span (bipolar span is 2 times the unipolar span). The MSB in the offset register determines if the offset that is to be trimmed is either positive or negative. The converter can typically trim $\pm 50\%$ of the input span. The gain register spans from 0 to $(2 - 2^{-23})$. The decimal equivalent meaning of the gain register is:

$$D = b_0 2^0 + b_1 2^{-1} + b_2 2^{-2} + b_3 2^{-3} + \dots + b_N 2^{-N}$$

where the binary numbers have a value of either zero or one. After a gain calibration has been performed, the numeric value in the gain register should not exceed the range of 0.5 to 2.0 (decimal) [400000(Hex) to FFFFFFF(Hex)].

12) How can the gain be calibrated if a full-scale signal is not available?

A: The CS5525/26 can be gain calibrated with some input signal other than full scale. For example, when the converter is reset, the gain register's calibration word is 1.0 (decimal). If a signal representing ten percent of full scale reads three percent less than it should, the value in the gain register can be scaled up by three percent. Gain accuracy can be improved if output words are averaged while using this technique. Use caution when a calibration signal less than full scale is being used. If the transfer function of the transducer being used to generate the ten percent signal happens to have a major nonlinearity at the point at which calibration is being performed, it will cause the rest of the transfer function to be incorrect.

13) Why does the offset move when the CS5525/26 with a 2.5 V reference, is calibrated several times? What can be done to prevent this?

- A: The CS5526 is a 20-bit ADC with inherent Gaussian thermal and quantization noise associated with each conversion. Therefore, every time the converter is calibrated, a different offset calibration output has a chance of occurring. By averaging conversions, the peak-to-peak noise can be reduced by a factor of $1/\sqrt{n}$ (where n is the number of samples taken). The offset register can be accessed after calibration, and the offset uncertainty of a converter can almost be eliminated (to 1 code) by averaging. The CS5525 (16-bits) always has 1 count of variability, even if averaged, because the noise and calibration can occur at a boundary between two codes. If the calibration code is on the boundary the random noise could toggle the offset between the two codes.
- 14) Is a different calibration required for each gain setting?
- A: For maximum accuracy, calibrations should be performed for offset and gain for each gain setting. If a factory calibration is performed using a system calibration, the offset and gain register contents can be read by the system microcontroller and stored in EEPROM. These same calibration words can then be uploaded into the offset and gain registers of the converter when power is re-applied to the system, or when the gain range is changed.
- 15) What is the advantage of performing calibrations at lower output word rates?
- A: Calibrations are performed at the output word rate selected by the WR2-WR0 bits of the configuration register. Since higher word rates result in conversion words with more peak-to-peak noise, it is better to calibrate at lower output word rates. To minimize the digital noise near the device, the user should wait for each calibration step to be completed before reading or writing to the serial port.
- 16) How can I get the best noise performance from the CS5525/26?
- A: Use the bipolar mode or increase the reference voltage, since each of these increase the size of the LSB.

- 17) If the charge pump is engaged, how do I ensure that the converter and its external components are intrinsically safe?
- A: Intrinsic safety prohibits the use of electrolytic (or bipolar) capacitors thus limiting the use of certain size capacitors. Although a 10 μ F cap. is recommended for the charge pump, two 0.47 μ F ceramic caps in parallel can be used.
- 18) What benefit does an evaluation board offer?
- A: The CDB5525/26 evaluation board saves time and money over prototyping. The preassembled board comes equipped with an 80C51 microcontroller and a 9-pin cable to link the evaluation board to a PC-compatible computer. The evaluation system also includes software which provides easy access to the internal registers of the converter and displays the converter's time domain, frequency domain and noise histogram performance.

Ordering Information

CS5525-AP	-40°C to +85°C	20-pin PDIP
CS5526-BP	-40°C to +85°C	20-pin PDIP
CS5525-AS	-40°C to +85°C	20-pin SSOP
CS5526-BS	-40°C to +85°C	20-pin SSOP

For further information on Crystal products, please visit our website "www.crystal.com" or call our literature department (800) 888-5016 ext. 3594 or (512) 912-3594 for data sheets and application notes.

Schematic & Layout Review Service

Confirm Optimum
Schematic & Layout
Before Building Your Board.



For Our Free Review Service
Call Applications Engineering.

Call: (5 1 2) 4 4 5 - 7 2 2 2

Sales Office and Applications Support

UNITED STATES

Sales Office and Applications Support:

WESTERN AREA

Cirrus Logic
Crystal Semiconductor Div.
50 Airport Pkwy.
San Jose, CA 95110
Ph: 408-437-7743
FAX: 408-437-4943

Cirrus Logic
Crystal Semiconductor Div.
6 Venture,
Ste. 100
Irvine, CA 92718
Ph: 714-453-5910
FAX: 714-453-5914

CENTRAL AREA

Cirrus Logic
Crystal Semiconductor Div.
14205 Burnet Rd.,
Ste. 400
Austin, TX 78728
Ph: 512-255-8893
FAX: 512-255-0733

EASTERN AREA

Cirrus Logic
Crystal Semiconductor Div.
5511 Capital Center Dr.,
Ste. 103
Raleigh, NC 27606
Ph: 919-859-5393
FAX: 919-859-5334

Cirrus Logic
10 New England Business Center,
Ste. 100
Andover, MA 01810
Ph: 978-794-9138
FAX: 978-794-9998

Cirrus Logic
Crystal Semiconductor Div.
10440 Little Patuxent Pkwy.,
Ste. 300
Columbia, MD 21044-3559
Ph: 410-740-5654
FAX: 410-740-6961

EUROPE

Sales Office and Applications Support:

Cirrus Logic France
Immeuble Andre Malraux
93561 Rosny s/s Bois CEDEX,
France
Ph: +33(148)122812
FAX: +33(148)122810

Cirrus Logic
Crystal Semiconductor (UK) Ltd.
Spectrum Point,
279 Farnborough Rd.,
Farnborough,
Hampshire GU14 7LS,
United Kingdom
Ph: +44(0)1252372762
FAX: +44(0)1252372763

Cirrus Logic GmbH
Muehlfelder-Strasse 2
D-82211 Herrsching, Germany
Ph: +49(08152)92460
FAX: +49(08152)924699

FAR EAST

Sales Office and Applications Support:

CHINA

Cirrus Logic International Ltd.
A-1403, Qiancun Commercial
Mansion
Beijing, China 100029
Ph: (8610)6443-0783
Ph: (8610)6443-0784
Ph: (8610)6443-0785
FAX: (8610)6443-0786

HONG KONG

Cirrus Logic International Ltd.
1203 Park Tower
15 Austin Rd., Tsimshatsui
Kowloon, Hong Kong
Ph: (852)2376-0801
FAX: (852)2375-1202

KOREA

Cirrus Logic, Korea Co., Ltd.
Rm 1302 SangKyung Bldg., 824-
21 YeokSam-Dong,
KangNam-Ku,
Seoul, Korea
Ph: +82(2)565-8561
FAX: +82(2)565-8565

SINGAPORE

Cirrus Logic
Crystal International
6 Kaki Bukit Ave. 1,
Ste. 03-03
Singapore 417940
Ph: +65-743-4111
FAX: +65-742-4111

TAIWAN

Cirrus Logic International Ltd.
Taiwan Branch
10F, No.214 Tun Hwa North Rd.
Taipei, Taiwan R.O.C.
Ph: +886(2)2718-4533
FAX: +886(2)2718-4526

JAPAN

Sales Office and Applications Support:

Cirrus Logic K.K.
Shinjuku Green Tower, Bldg. 26F
6-14-1 Nishi-Shinjuku,
Shinjuku-ku,
Tokyo, 160
Japan
Ph: +81(03)3340-9111
FAX: +81(03)3340-9120



**CRYSTAL SEMICONDUCTOR
PRODUCTS DIVISION**

**PO BOX 17847
4210 S. INDUSTRIAL DRIVE
AUSTIN, TEXAS 78744
512.445.7222 / 800.888.5016
FAX: 512.445.7581**

**WORLDWIDE WEB:
<http://www.crystal.com>**