

# New ADC Family Ideal for Digital Audio Applications

## Advanced Architecture and Performance at Break-Through Price Point

### CS5341 Features

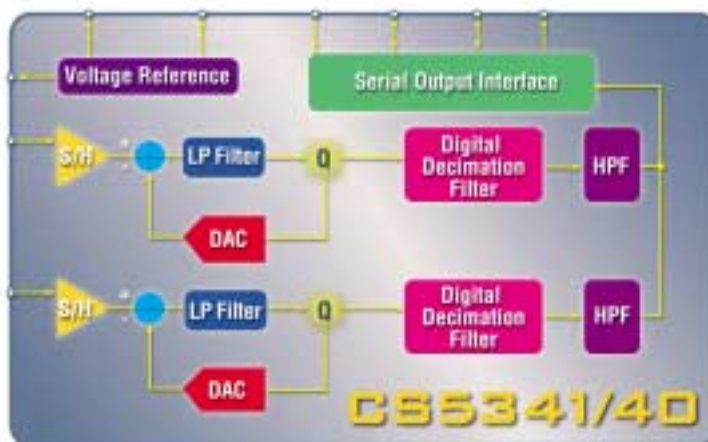
- Advanced multi-bit delta-sigma architecture
- 24-bit conversion
- System sampling rates up to 192 kHz
  - DVD-Audio compatible
- Automatic sample rate detection
- 105 dB dynamic range
- 98 dB THD+N
- 3.3V-5.0V power supply
- 90 mW power consumption (3.3V)
- Supports logic levels between 5.0V to 2.5V
- High pass filter to remove DC offsets
- Single-ended analog architecture
- Linear phase digital anti-alias filtering
- Supports Master or Slave mode operation
- Pin-compatible with the CS5340
- Available in 16-pin TSSOP
- CS5341: \$2.47 (10K)  
CS5340: \$1.92 (10K)

### Applications

- DVD recorders
- Personal video recorders (PVR)
- A/V receivers
- Digital mixing consoles
- Effects processors
- Automotive audio systems



Actual Size



The CS5341 and CS5340 are your most complete analog-to-digital converters for digital audio systems like A/V receivers, DVD recorders, personal video recorders, digital mixing consoles, effects processors, and automotive applications. The CS5341 is ideal for all audio applications requiring wide dynamic range, negligible distortion, and low noise—it delivers all the performance you need, like 192 kHz sampling rate and 105 dB dynamic range—ideal for DVD-Audio ready products. The CS5341 uses a 5th-order, multi-bit delta-sigma modulator followed by digital filtering and decimation to eliminate the need for an external anti-alias filter. It uses a single-ended architecture and includes a high pass filter to remove DC offsets. Designed for performance, you get professional sound quality at a break-through price point.

For cost-sensitive applications, use the CS5340, which is pin-compatible with the CS5341. The CS5341 and CS5340 utilize the same architecture and technology, and their common footprint helps manufacturers reduce time to market and development cost without sacrificing sound quality. The CS5340 offers 101dB dynamic range and 94dB THD+N, delivering excellent analog performance at price points starting at \$1.92 in 10K quantity.